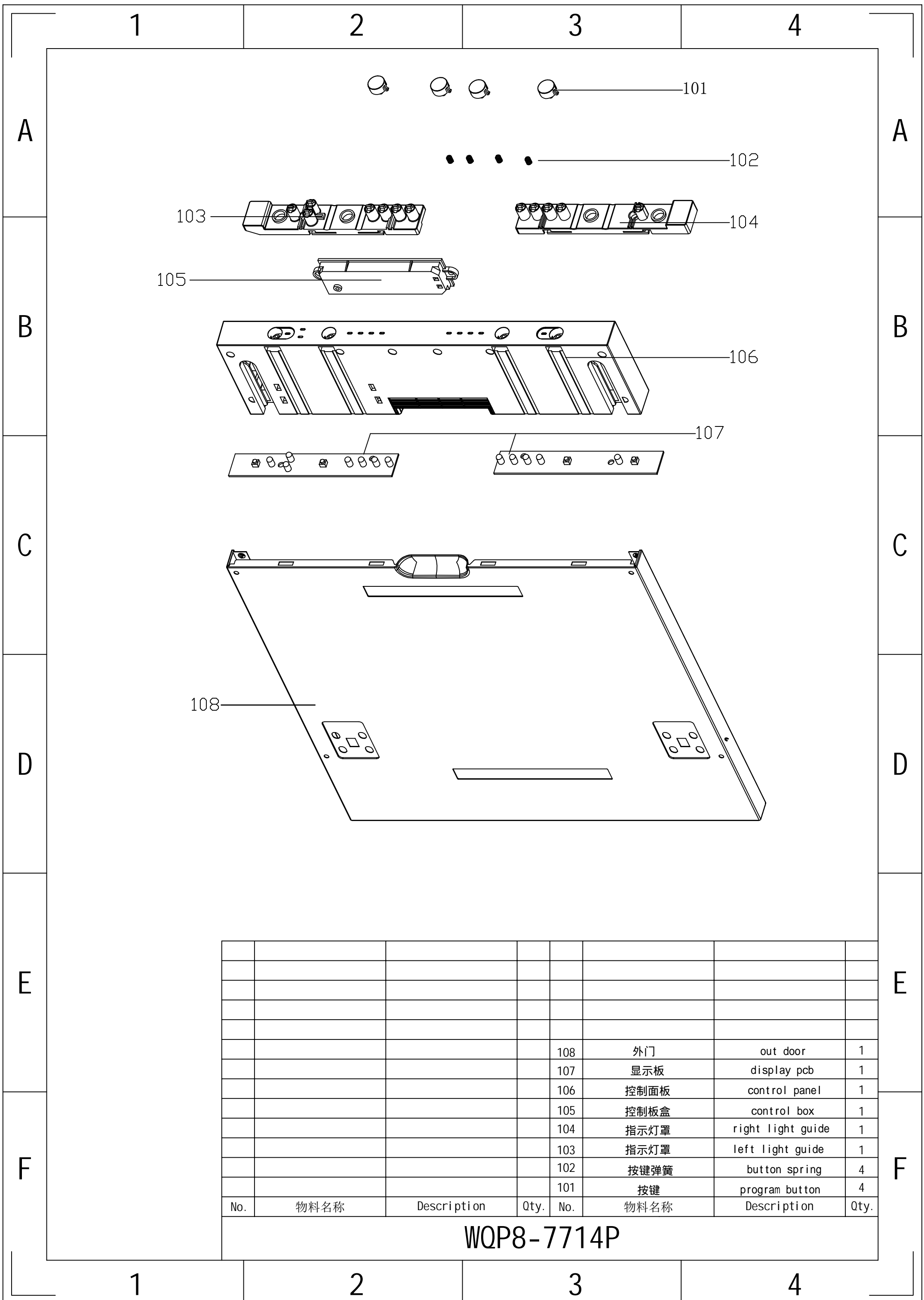
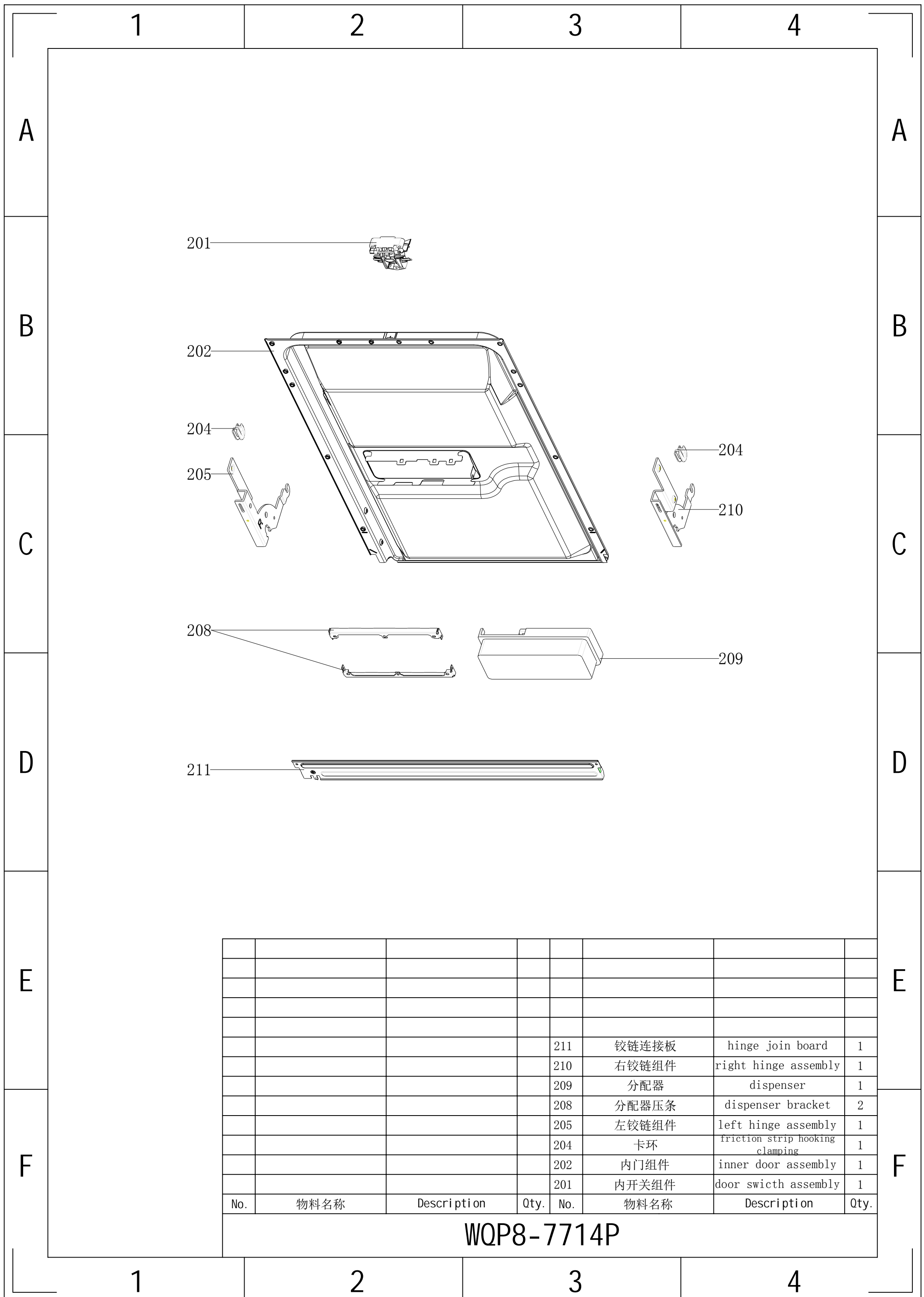


MLP-08S (MO-343415)



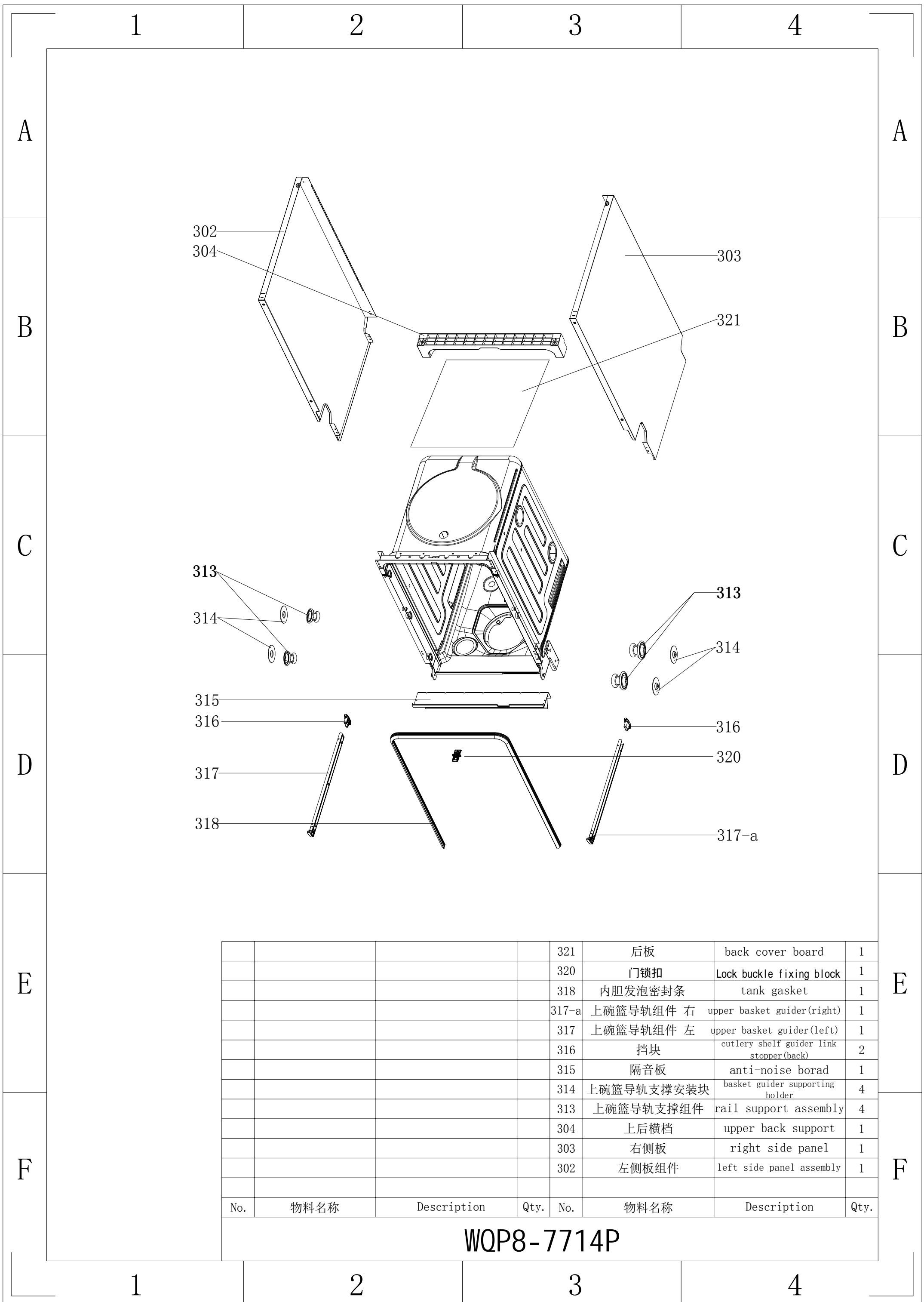
				108	外门	out door	1
				107	显示板	display pcb	1
				106	控制面板	control panel	1
				105	控制板盒	control box	1
				104	指示灯罩	right light guide	1
				103	指示灯罩	left light guide	1
				102	按键弹簧	button spring	4
				101	按键	program button	4
No.	物料名称	Description	Qty.	No.	物料名称	Description	Qty.

WQP8-7714P



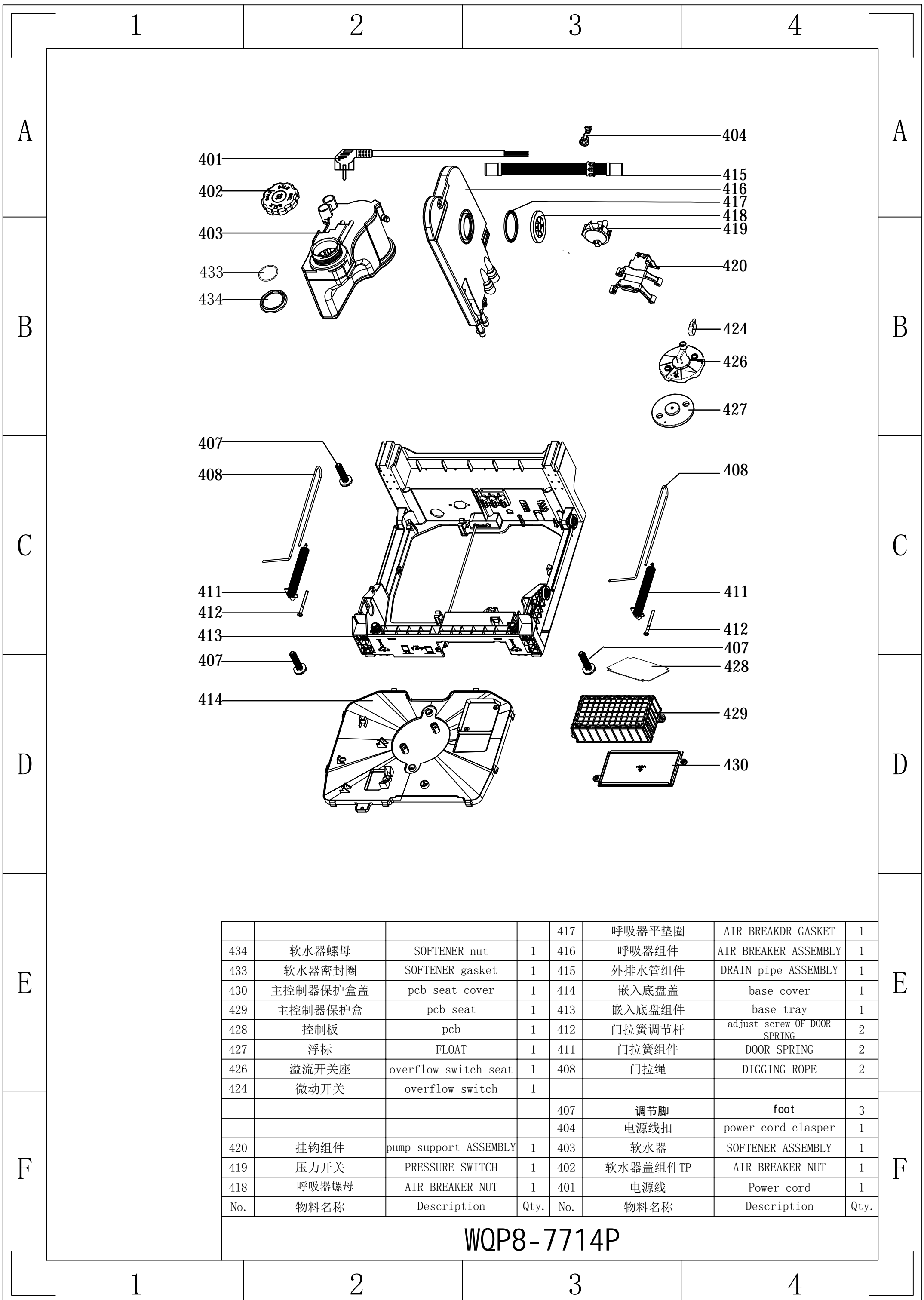
				211	铰链连接板	hinge join board	1
				210	右铰链组件	right hinge assembly	1
				209	分配器	dispenser	1
				208	分配器压条	dispenser bracket	2
				205	左铰链组件	left hinge assembly	1
				204	卡环	friction strip hooking clamping	1
				202	内门组件	inner door assembly	1
				201	内开关组件	door switch assembly	1
No.	物料名称	Description	Qty.	No.	物料名称	Description	Qty.

WQP8-7714P



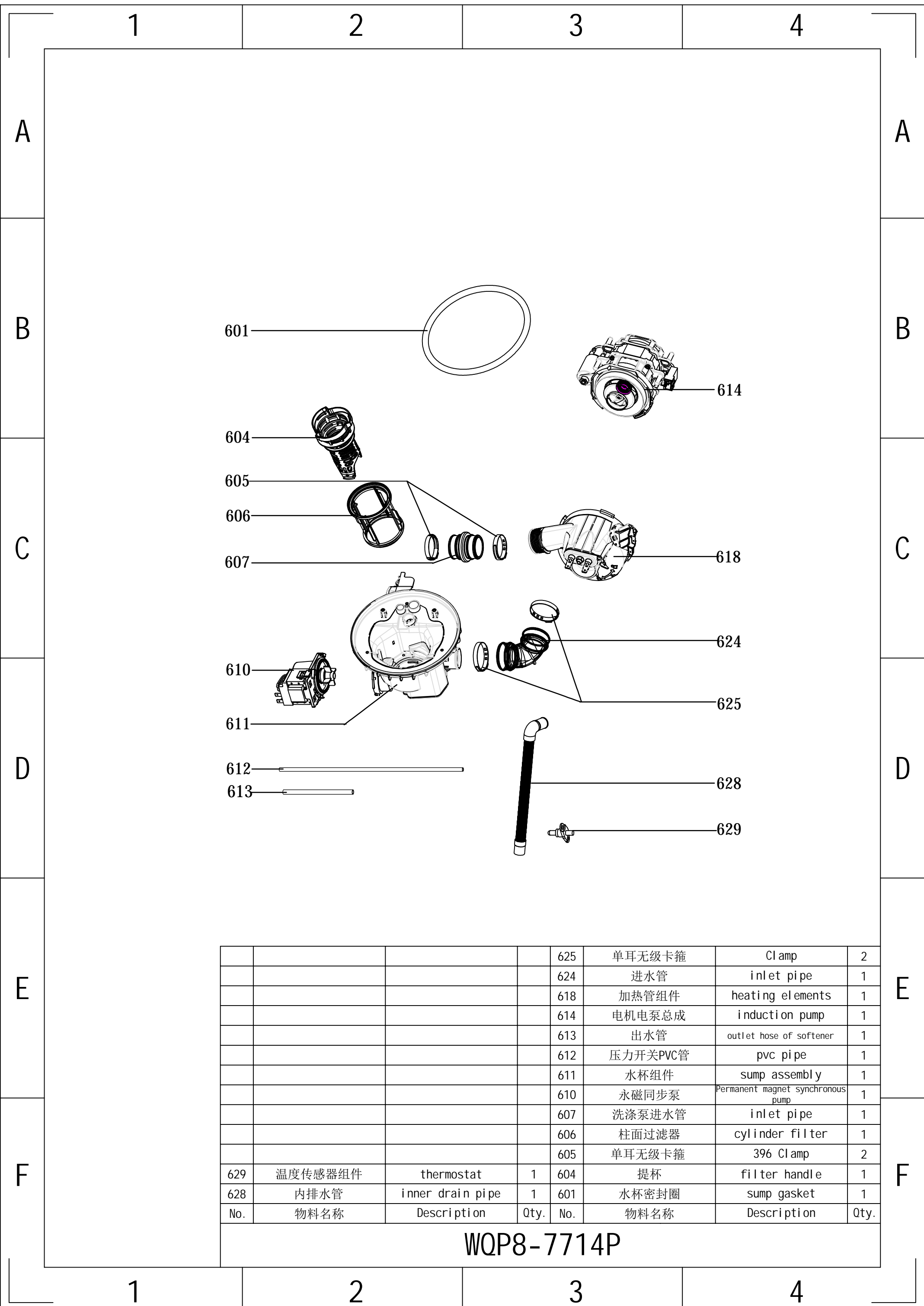
				321	后板	back cover board	1
				320	门锁扣	Lock buckle fixing block	1
				318	内胆发泡密封条	tank gasket	1
				317-a	上碗篮导轨组件 右	upper basket guider(right)	1
				317	上碗篮导轨组件 左	upper basket guider(left)	1
				316	挡块	cutlery shelf guider link stopper (back)	2
				315	隔音板	anti-noise borad	1
				314	上碗篮导轨支撑安装块	basket guider supporting holder	4
				313	上碗篮导轨支撑组件	rail support assembly	4
				304	上后横档	upper back support	1
				303	右侧板	right side panel	1
				302	左侧板组件	left side panel assembly	1
No.	物料名称	Description	Qty.	No.	物料名称	Description	Qty.

WQP8-7714P



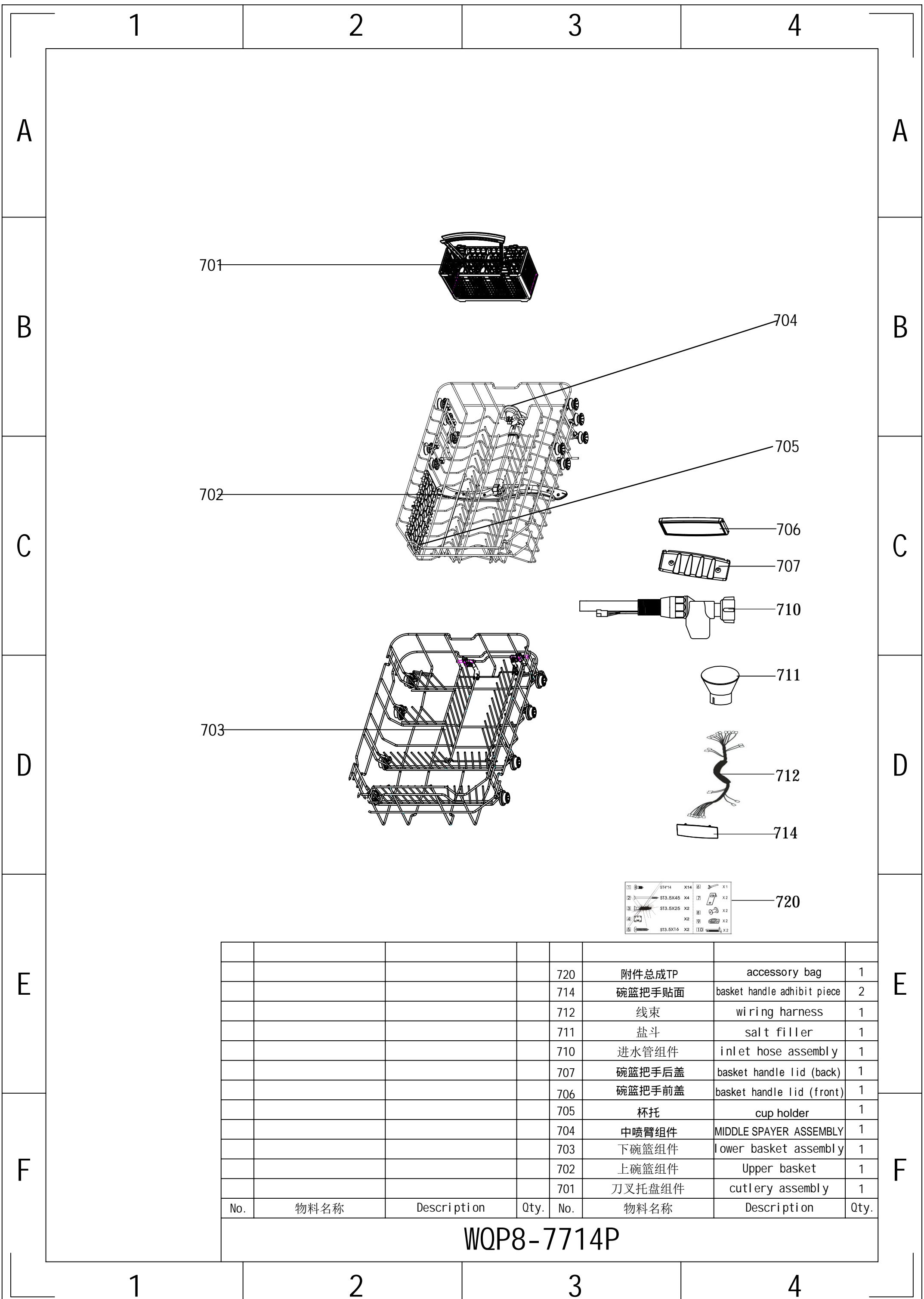
				417	呼吸器平垫圈	AIR BREAKDR GASKET	1
434	软水器螺母	SOFTENER nut	1	416	呼吸器组件	AIR BREAKER ASSEMBLY	1
433	软水器密封圈	SOFTENER gasket	1	415	外排水管组件	DRAIN pipe ASSEMBLY	1
430	主控制器保护盒盖	pcb seat cover	1	414	嵌入底盘盖	base cover	1
429	主控制器保护盒	pcb seat	1	413	嵌入底盘组件	base tray	1
428	控制板	pcb	1	412	门拉簧调节杆	adjust screw OF DOOR SPRING	2
427	浮标	FLOAT	1	411	门拉簧组件	DOOR SPRING	2
426	溢流开关座	overflow switch seat	1	408	门拉绳	DIGGING ROPE	2
424	微动开关	overflow switch	1				
				407	调节脚	foot	3
				404	电源线扣	power cord clasper	1
420	挂钩组件	pump support ASSEMBLY	1	403	软水器	SOFTENER ASSEMBLY	1
419	压力开关	PRESSURE SWITCH	1	402	软水器盖组件TP	AIR BREAKER NUT	1
418	呼吸器螺母	AIR BREAKER NUT	1	401	电源线	Power cord	1
No.	物料名称	Description	Qty.	No.	物料名称	Description	Qty.

WQP8-7714P



				625	单耳无级卡箍	Clamp	2
				624	进水管	inlet pipe	1
				618	加热管组件	heating elements	1
				614	电机电泵总成	induction pump	1
				613	出水管	outlet hose of softener	1
				612	压力开关PVC管	pvc pipe	1
				611	水杯组件	sump assembly	1
				610	永磁同步泵	Permanent magnet synchronous pump	1
				607	洗涤泵进水管	inlet pipe	1
				606	柱面过滤器	cylinder filter	1
				605	单耳无级卡箍	396 Clamp	2
629	温度传感器组件	thermostat	1	604	提杯	filter handle	1
628	内排水管	inner drain pipe	1	601	水杯密封圈	sump gasket	1
No.	物料名称	Description	Qty.	No.	物料名称	Description	Qty.

WQP8-7714P



1	ST4*14	X14	6	X1
2	ST3.5X45	X4	7	X2
3	ST3.5X25	X2	8	X2
4		X2	9	X2
5	ST3.5X16	X2	10	X2

				720	附件总成TP	accessory bag	1
				714	碗篮把手贴面	basket handle adhibit piece	2
				712	线束	wiring harness	1
				711	盐斗	salt filler	1
				710	进水管组件	inlet hose assembly	1
				707	碗篮把手后盖	basket handle lid (back)	1
				706	碗篮把手前盖	basket handle lid (front)	1
				705	杯托	cup holder	1
				704	中喷臂组件	MIDDLE SPAYER ASSEMBLY	1
				703	下碗篮组件	lower basket assembly	1
				702	上碗篮组件	Upper basket	1
				701	刀叉托盘组件	cutlery assembly	1
No.	物料名称	Description	Qty.	No.	物料名称	Description	Qty.

WQP8-7714P

MLP-08B(MO-343424)

NO.	Part No.	Description	Qty.
101	12176000A35204	control panel cover sticker	1
102	12176000001664	button	5
103	12976000000141	button spring	5
104	17176000015122	display pcb board	1
105	12176000005449	control panel	1
106	12276000006429	out door	1
107	12176000003843	control box	1

201	17476000000052	door swith assembly	1
202	12276000005166	inner door assembly	1
204	12176000003629	friction strip hooking clamping	2
205	12276000001731	left hinge assembly	1
208	12276000001459	dispenser bracket	2
209	17476000001457	dispenser	1
210	12276000001778	right hinge assembly	1
211	12276000001810	hinge join board	1
302	12276000000979	left side panel assembly	1
303	12276000001132	right side panel	1
304	12176000003871	upper back support	1
306	12176000008517	cutlery shelf guider link stopper(back)	2
307	12276000001341	sword fork frame guider(left)	1
307-a	12276000001344	sword fork frame guider(right)	1
309	12176000010336	cutlery shelf rail support assembly	4
311	12176000008444	basket guider supporting holder	4
313	12176000010412	rail support assembly	4
314	12176000008573	basket guider supporting holder	4
315	12276000001836	anti-noise borad	1
316	12176000008496	basket guider link stopper(back)	2
317	12276000001357	upper basket guider(left)	1
317-a	12276000001360	upper basket guider(right)	1
318	12676000000913	tank gasket	1
320	12176000009491	door lock hook	1
321	12176000010253	back cover board	1
322	17476000001113	floodlight (white)	1
323	12676000000745	floodlight seal	1
324	12176000009535	floodlight nut	1
401	17476000005309	power cord	1
402	12176000010640	softener cover	1
403	17476000005645	Softener	1
404	12176000009490	power cord clasper	1
407	12176000009726	foot	3
408	12976000000399	door rope	2
411	12976000000134	door spring assembly	2

MLP-08S(MO-343415)

NO.	Part No.	Description	Qty.
101	12176000001295	key	4
102	12976000000182	button spring	4
103	12176000020563	left light guide	1
104	12176000020564	right light guide	1
105	12176000003843	control box	1
106	12176000A35188	control panel	1
107	17176000018802	display pcb board	1
108	12276000006429	out door	1
201	17476000000052	door swith assembly	1
202	12276000010207	inner door assembly	1
204	12176000003629	friction strip hooking clamping	2
205	12276000001731	left hinge assembly	1
208	12276000001459	dispenser bracket	2
209	17476000001457	dispenser	1
210	12276000001778	right hinge assembly	1
211	12276000001810	hinge join board	1
302	12276000000979	left side panel	1
303	12276000001132	right side panel	1
304	12176000003871	upper back support	1

313	12176000010412	rail support assembly	4
314	12176000008573	basket guider supporting holder	4
315	12276000001836	anti-noise borad	1
316	12176000008496	basket guider link stopper(back)	2
317	12276000001357	upper basket guider(left)	1
317-a	12276000001360	upper basket guider(right)	1
318	12676000000913	tank gasket	1
320	12176000009491	door lock hook	1
321	12176000010261	back cover board	1

401	17476000005309	power cord	1
402	12176000010640	softener cover	1
403	17476000005645	Softener	1
404	12176000009490	power cord clasper	1
407	12176000009726	foot	3
408	12976000000399	door rope	2
411	12976000000134	door spring assembly	2

412	12976000001001	adjust screw of door spring	2
413	12176000003074	base tray	1
414	12176000003088	base cover	1
415	12676000000138	drain hose assembly	1
416	17476000005724	Airbreather	1
417	12676000000713	air breather seal	1
418	12176000013663	air breaker nut	1
419	17476000001222	pressure switch	1
420	12276000008925	pump support assembly	1
424	17476000001137	overflow switch	1
426	12176000003125	overflow switch seat	1
427	12876000000050	sleeve cover	1
428	17176000012353	main pcb board	1
429	12176000003751	pcb seat	1
430	12176000003853	pcb box cover	1
431	17476000001099	indicator light(blue)	1
433	12676000001801	softener seal	1
434	12176000009513	softener nut	1
501	12176000009472	inner pipe	1
510	12176000009195	lower sprayer assembly	1
511	12176000008645	sprayer seat	1
513	12176000003700	plane filter	1
601	12676000001461	sump seal	1
604	12176000009640	filter handle	1
605	12976000000327	396 clamp	2
606	12176000003676	cylinder filter	1
607	12676000000146	washing pump outlet pipe	1
610	11001011000495	Permanent magnet synchronous pump	1
611	12176000016230	Sump assembly	1
612	12676000000651	pvc pipe	1
613	12676000000169	softener outlet pipe	1
614	17476000A00401	induction pump assembly	1
618	17476000001408	heating elements	1
624	12676000000100	washing pump inlet pipe	1
625	12976000000308	Clamp	2
628	12676000000954	inner drain pipe	1
629	17176000012008	thermostat	1
630	17176000000306	turbidity transducer	1
631	17476000000382	wiring harness	1
701	12176000002826	cutlery assembly	1
702	12976000001529	Upper basket	1
703	12976000001369	lower basket assembly	1
704	12176000009231	Spray arm	1
705	12176000013316	cup holder	2

707	12176000010062	basket handle lid (front)	1
-----	----------------	---------------------------	---

412	12976000001001	adjust screw of door spring	2
413	12176000003074	base tray	1
414	12176000003088	base cover	1
415	12676000000138	drain hose assembly	1
416	17476000005724	Airbreather	1
417	12676000000713	air breather seal	1
418	12176000013663	air breaker nut	1
419	17476000001222	pressure switch	1
420	12276000008925	pump support assembly	1
424	17476000001137	overflow switch	1
426	12176000003125	overflow switch seat	1
427	12876000000050	sleeve cover	1
428	17176000018024	main pcb board	1
429	12176000003751	pcb seat	1
430	12176000003853	pcb box cover	1

433	12676000001801	softener seal	1
434	12176000009513	softener nut	1
501	12176000009430	inner pipe	1
510	12176000009195	lower sprayer assembly	1
511	12176000008645	sprayer seat	1
513	12176000003700	plane filter	1
601	12676000001461	sump seal	1
604	12176000009640	filter handle	1
605	12976000000327	396 clamp	2
606	12176000003676	cylinder filter	1
607	12676000000146	washing pump outlet pipe	1
610	11001011000495	Permanent magnet synchronous pump	1
611	12176000016228	Sumpassembly	1
612	12676000000651	pvc pipe	1
613	12676000000169	softener outlet pipe	1
614	17476000A00401	induction pump assembly	1
618	17476000001408	heating elements	1
624	12676000000100	washing pump inlet pipe	1
625	12976000000308	Clamp	2
628	12676000000954	inner drain pipe	1
629	17176000012008	thermostat	1

701	12176000002753	cutlery basket	1
702	12976000000499	basket assembly	1
703	12976000001652	lower basket assembly	1
704	12176000009231	Spray arm	1
705	12176000013316	cup holder	1

706	12176000010062	basket handle lid (front)	1
-----	----------------	---------------------------	---

708	12176000010045	basket handle lid (back)	1
710	17476000001314	inlet hose assembly	1
711	12176000010312	salt filler	1
712	17476000000812	wiring harness	1
713	12276000A11242	basket handle adhibit piece	1
714	12276000A17104	cutlery handle veneer	1
720	12976000000288	accessory bag	1

707	12176000010045	basket handle lid (back)	1
710	17476000001314	inlet hose assembly	1
711	12176000010312	salt filler	1
712	17476000000812	wiring harness	1
714	12276000A11242	basket handle cover	1
720	12976000000288	accessory bag	1