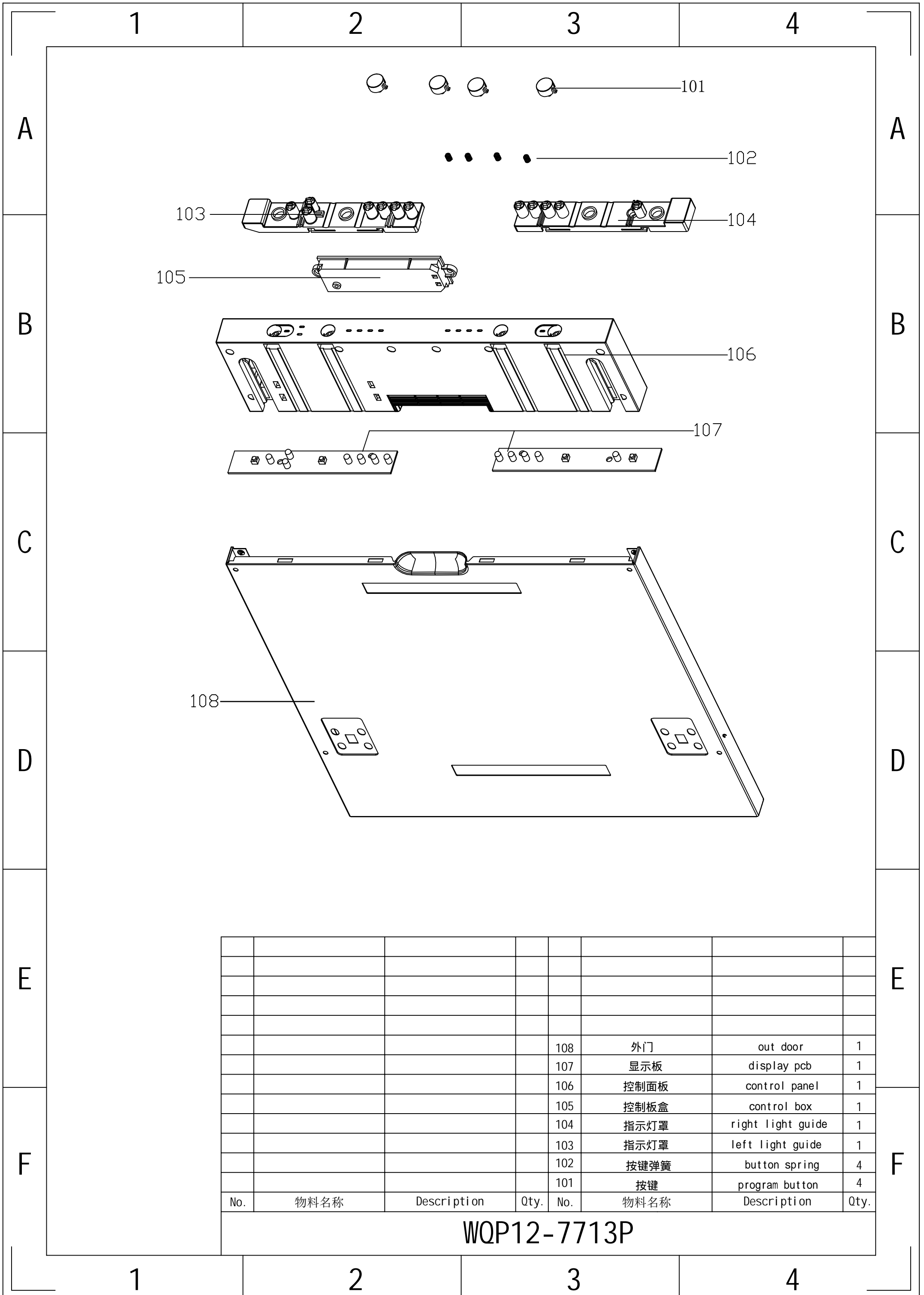


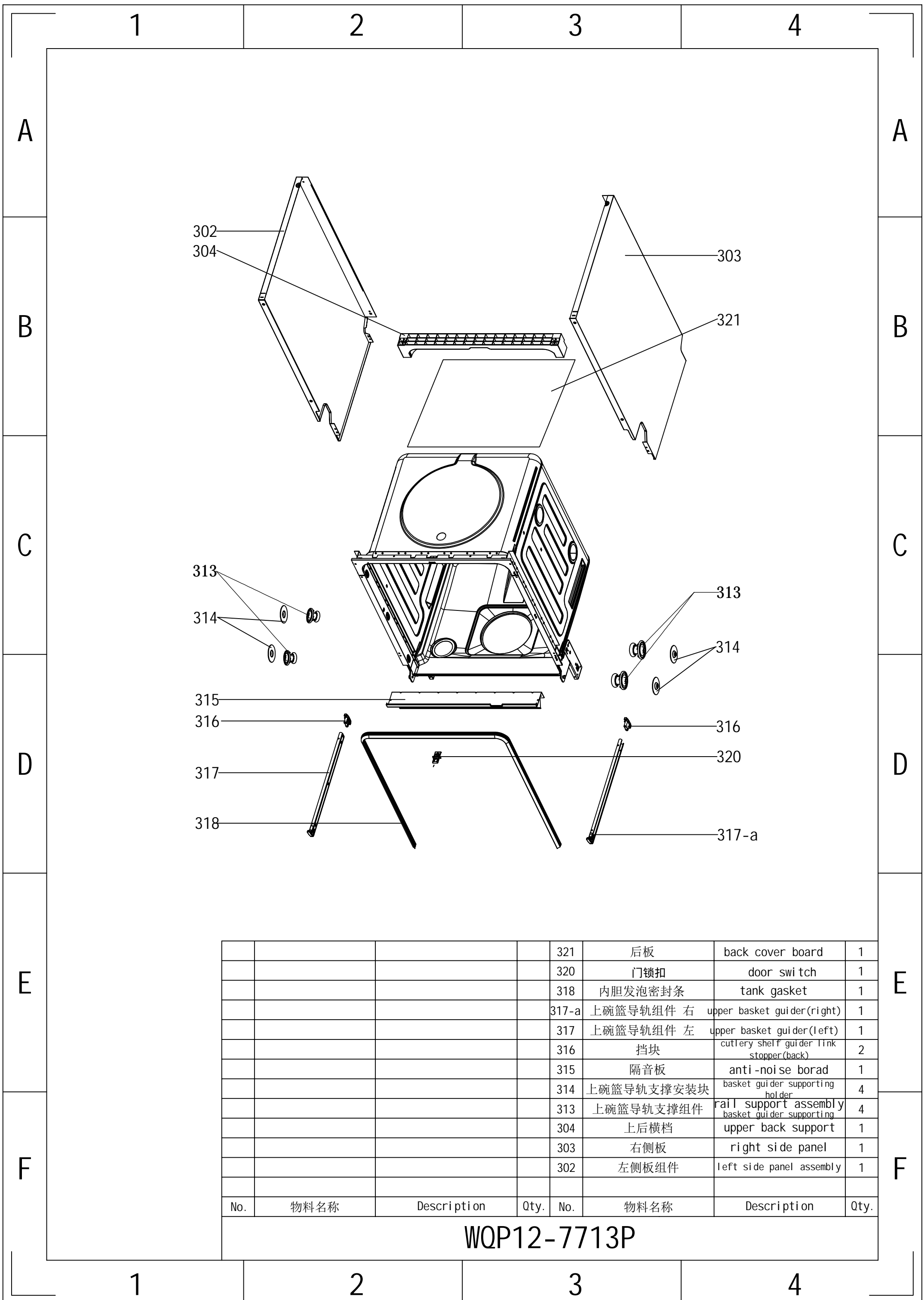
# MLP-12S (M0-343419)



				108	外门	out door	1
				107	显示板	display pcb	1
				106	控制面板	control panel	1
				105	控制板盒	control box	1
				104	指示灯罩	right light guide	1
				103	指示灯罩	left light guide	1
				102	按键弹簧	button spring	4
				101	按键	program button	4
No.	物料名称	Description	Qty.	No.	物料名称	Description	Qty.

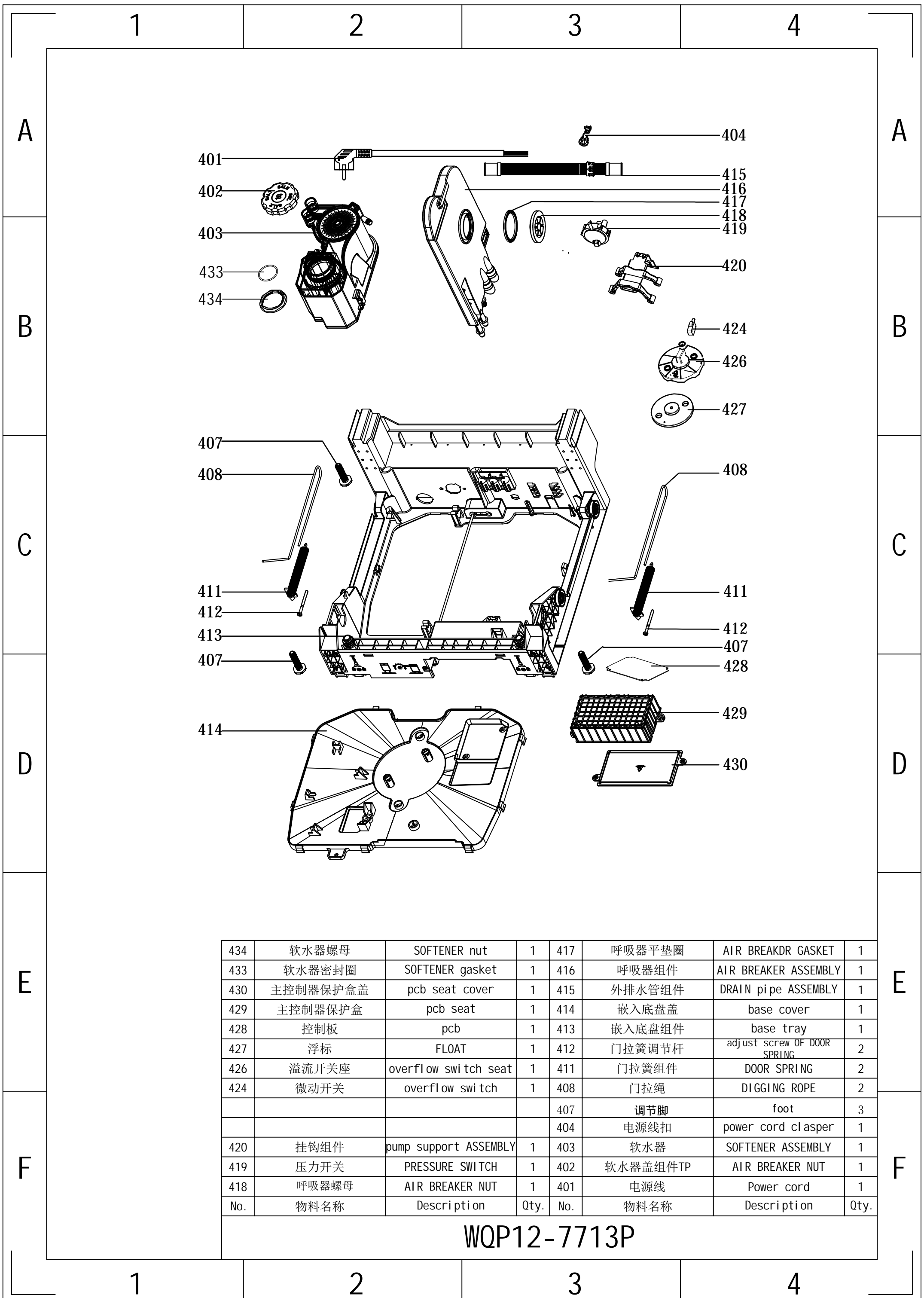
WQP12-7713P





				321	后板	back cover board	1
				320	门锁扣	door switch	1
				318	内胆发泡密封条	tank gasket	1
				317-a	上碗篮导轨组件 右	upper basket guider(right)	1
				317	上碗篮导轨组件 左	upper basket guider(left)	1
				316	挡块	cutlery shelf guider link stopper(back)	2
				315	隔音板	anti-noise borad	1
				314	上碗篮导轨支撑安装块	basket guider supporting holder	4
				313	上碗篮导轨支撑组件	rail support assembly basket guider supporting	4
				304	上后横档	upper back support	1
				303	右侧板	right side panel	1
				302	左侧板组件	left side panel assembly	1
No.	物料名称	Description	Qty.	No.	物料名称	Description	Qty.

WQP12-7713P



434	软水器螺母	SOFTENER nut	1	417	呼吸器平垫圈	AIR BREAKDR GASKET	1
433	软水器密封圈	SOFTENER gasket	1	416	呼吸器组件	AIR BREAKER ASSEMBLY	1
430	主控制器保护盒盖	pcb seat cover	1	415	外排水管组件	DRAIN pi pe ASSEMBLY	1
429	主控制器保护盒	pcb seat	1	414	嵌入底盘盖	base cover	1
428	控制板	pcb	1	413	嵌入底盘组件	base tray	1
427	浮标	FLOAT	1	412	门拉簧调节杆	adjust screw OF DOOR SPRING	2
426	溢流开关座	overflow switch seat	1	411	门拉簧组件	DOOR SPRING	2
424	微动开关	overflow swi tch	1	408	门拉绳	DIGGING ROPE	2
				407	调节脚	foot	3
				404	电源线扣	power cord clasper	1
420	挂钩组件	pump support ASSEMBLY	1	403	软水器	SOFTENER ASSEMBLY	1
419	压力开关	PRESSURE SWITCH	1	402	软水器盖组件TP	AIR BREAKER NUT	1
418	呼吸器螺母	AIR BREAKER NUT	1	401	电源线	Power cord	1
No.	物料名称	Description	Qty.	No.	物料名称	Description	Qty.

WQP12-7713P

1

2

3

4

A

A

B

B

C

C

D

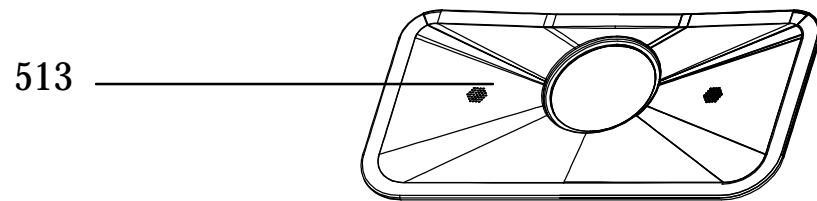
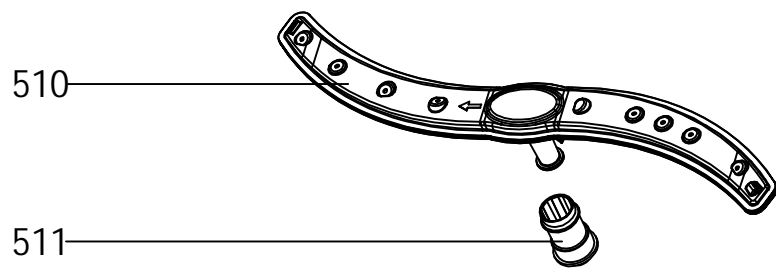
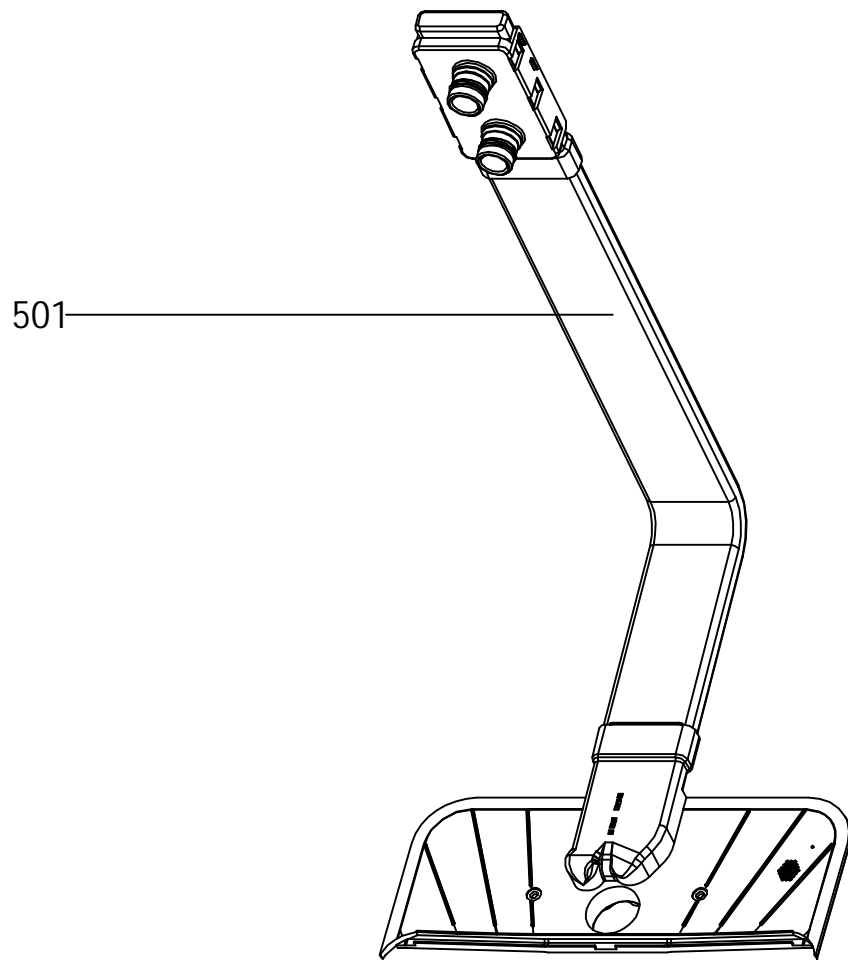
D

E

E

F

F



No.	物料名称	Description	Qty.	No.	物料名称	Description	Qty.
				513	平面过滤器	plane filter	1
				511	下喷臂座	sprayer seat	1
				510	下喷臂	lower sprayer	1
				501	内水管组件	inner pipe	1

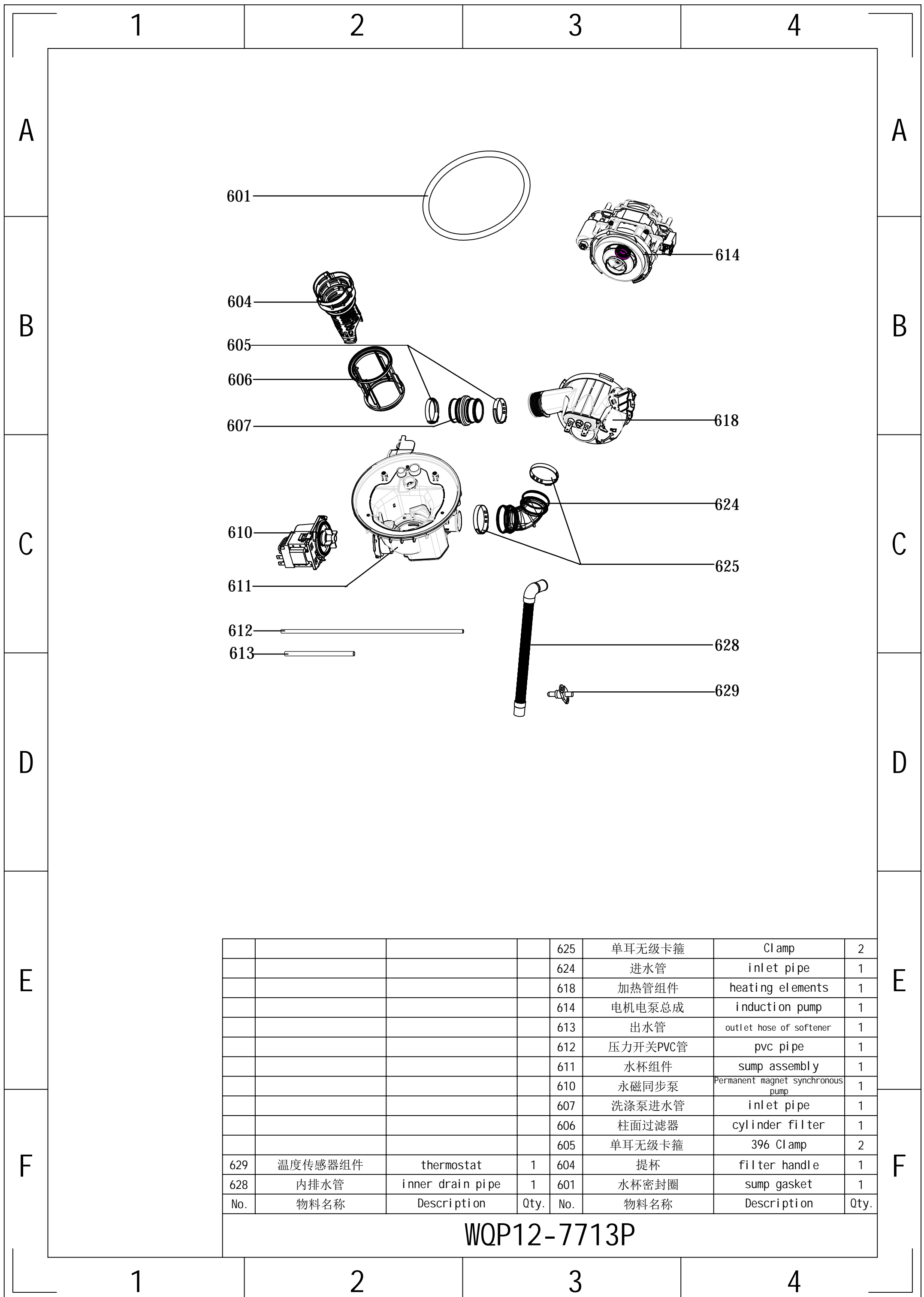
WQP12-7713P

1

2

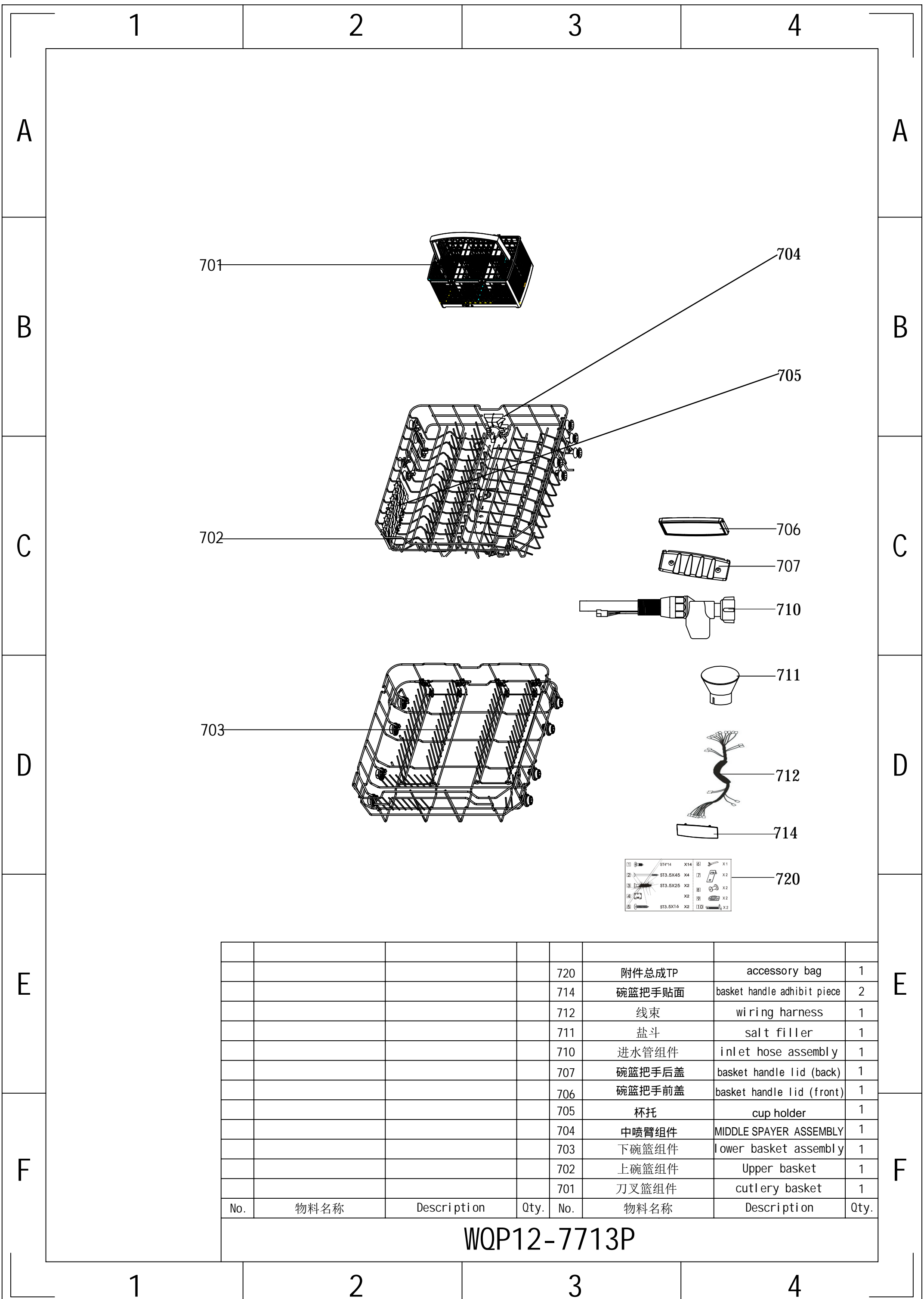
3

4



				625	单耳无级卡箍	Clamp	2
				624	进水管	inlet pipe	1
				618	加热管组件	heating elements	1
				614	电机电泵总成	induction pump	1
				613	出水管	outlet hose of softener	1
				612	压力开关PVC管	pvc pipe	1
				611	水杯组件	sump assembly	1
				610	永磁同步泵	Permanent magnet synchronous pump	1
				607	洗涤泵进水管	inlet pipe	1
				606	柱面过滤器	cylinder filter	1
				605	单耳无级卡箍	396 Clamp	2
629	温度传感器组件	thermostat	1	604	提杯	filter handle	1
628	内排水管	inner drain pipe	1	601	水杯密封圈	sump gasket	1
No.	物料名称	Description	Qty.	No.	物料名称	Description	Qty.

WQP12-7713P



				720	附件总成TP	accessory bag	1
				714	碗篮把手贴面	basket handle adhibit piece	2
				712	线束	wiring harness	1
				711	盐斗	salt filler	1
				710	进水管组件	inlet hose assembly	1
				707	碗篮把手后盖	basket handle lid (back)	1
				706	碗篮把手前盖	basket handle lid (front)	1
				705	杯托	cup holder	1
				704	中喷臂组件	MIDDLE SPAYER ASSEMBLY	1
				703	下碗篮组件	lower basket assembly	1
				702	上碗篮组件	Upper basket	1
				701	刀叉篮组件	cutlery basket	1
No.	物料名称	Description	Qty.	No.	物料名称	Description	Qty.

WQP12-7713P

## MLP-12B(MO-343427)

NO.	Part No.	Description	Qty.
101	12176000A35225	control panel cover sticker	1
102	1217600001664	button	5
103	1297600000141	button spring	5
104	1217600007509	control panel	1
105	12276000006322	out door	1
106	12176000003843	control panel box	1

107	17176000021268	Dashboard	1
201	17476000000052	door swithc assembly	1
202	12276000005288	inner door assembly	1
204	12176000003629	friction strip hooking clamping	2
205	12276000001731	left hinge assembly	1
208	12276000001459	dispenser bracket	2
209	17476000001457	dispenser	1
210	12276000001778	right hinge assembly	1
211	12276000001805	hinge join board	1
302	12276000000979	left side panel assembly	1
303	12276000001132	right side panel	1
304	12176000003869	upper back support	1
306	12176000008517	cutlery shelf guider link stopper(back)	2
307	12276000001341	sword fork frame guider(left)	1
307-a	12276000001344	sword fork frame guider(right)	1
309	12176000010336	cutlery shelf rail support assembly	4
311	12176000008444	basket guider supporting holder	4
313	12176000010412	rail support assembly	4
314	12176000008573	basket guider supporting holder	4
315	12276000001833	anti-noise borad	1
316	12176000008496	basket guider link stopper(back)	2
317	12276000001357	upper basket guider(left)	1
317-a	12276000001360	upper basket guider(right)	1
318	12676000000859	tank gasket	1
320	12176000009491	door lock hook	1
321	12176000021784	back cover board	1
322	17476000001113	floodlight(white)	1
323	12676000000745	floodlight seal	1
324	12176000009535	floodlight nut	1
401	17476000005309	power cord	1
402	12176000010640	softener cover	1
403	17476000005645	Softener	1
404	12176000009490	power cord clasper	1
407	12176000009726	foot	3
408	12976000000399	door rope	2
411	12976000000203	door spring assembly	2
412	12976000001001	adjust screw of door spring	2
413	12176000019570	base tray	1
414	12176000019565	base cover	1
415	12676000000138	drain hose assembly	1
416	17476000005724	Airbreather	1
417	12676000000713	air breather seal	1
418	12176000013663	air breaker nut	1
419	17476000001222	pressure switch	1
420	12276000008925	pump support assembly	1
424	17476000001137	overflow switch	1
426	12176000003125	overflow switch seat	1
427	12876000000050	sleeve cover	1
428	17176000012353	main pcb board	1
429	12176000016897	PCB Box cover	1
430	12176000016896	PCB Box	1
431	17476000001099	indicator light(blue)	1
433	12676000001801	softener seal	1
434	12176000009513	softener nut	1
501	12176000009472	inner pipe	1
510	12176000009161	lower sprayer	1
511	12176000008645	sprayer seat	1
513	12176000003689	plane filter	1
601	12676000001461	sump seal	1

## MLP-12IM(MO-343430)

NO.	Part No.	Description	Qty.
101	12176000A35227	control panel cover sticker	1
102	12176000008520	Touch pad	1
103	17176000014189	display pcb board	1
104	12176000008104	control panel	1
105	12276000006322	out door	1
106	12176000003843	control box	1

201	17476000000052	door swithc assembly	1
202	12276000005201	inner door assembly	1
204	12176000003629	friction strip hooking clamping	2
205	12276000001731	left hinge assembly	1
208	12276000001459	dispenser bracket	2
209	17476000001457	dispenser	1
210	12276000001778	right hinge assembly	1
211	12276000001805	hinge join board	1
302	12276000000979	left side panel	1
303	12276000001132	right side panel	1
304	12176000003869	upper back support	1
306	12176000008517	cutlery shelf guider link stopper(back)	2
307	12276000001341	sword fork frame guider(left)	1
307-a	12276000001344	sword fork frame guider(right)	1
309	12176000010336	cutlery shelf rail support assembly	4
311	12176000008444	basket guider supporting holder	4
313	12176000010412	rail support assembly	4
314	12176000008573	basket guider supporting holder	4
315	12276000001833	anti-noise borad	1
316	12176000008496	basket guider link stopper(back)	2
317	12276000001357	upper basket guider(left)	1
317-a	12276000001360	upper basket guider(right)	1
318	12676000000859	tank gasket	1
320	12176000009491	door lock hook	1
321	12176000021784	back cover board	1
322	17476000001113	floodlight(white)	1
323	12676000000745	floodlight seal	1
324	12176000009535	floodlight nut	1
401	17476000005309	power cord	1
402	12176000010640	softener cover	1
403	17476000005645	Softener	1
404	12176000009490	power cord clasper	1
407	12176000009726	foot	3
408	12976000000399	door rope	2
411	12976000000203	door spring assembly	2
412	12976000001001	adjust screw of door spring	2
413	12176000019570	base tray	1
414	12176000019565	base cover	1
415	12676000000138	drain hose assembly	1
416	17476000005724	Airbreather	1
417	12676000000713	air breather seal	1
418	12176000013663	air breaker nut	1
419	17476000001222	pressure switch	1
420	12276000008925	pump support assembly	1
424	17476000001137	overflow switch	1
426	12176000003125	overflow switch seat	1
427	12876000000050	sleeve cover	1
428	17176000007235	main pcb board	1
429	12176000016897	PCB Box cover	1
430	12176000016896	PCB Box	1
431	17476000001099	indicator light(blue)	1
433	12676000001801	softener seal	1
434	12176000009513	softener nut	1
501	12176000009472	inner pipe	1
510	12176000009161	lower sprayer	1
511	12176000008645	sprayer seat	1
513	12176000003689	plane filter	1
601	12676000001461	sump seal	1

## MLP-12S(MO-343419)

NO.	Part No.	Description	Qty.
101	12176000001295	button	4
102	12976000000182	button spring	4
103	12176000020563	left light guide	1
104	12176000020564	right light guide	1
108	12276000006322	out door	1
105	12176000003843	control box	1
106	12176000A35224	control panel	1
107	17176000018805	display pcb board	1
201	17476000000052	door swithc assembly	1
202	12276000005319	inner door assembly	1
204	12176000003629	friction strip hooking clamping	2
205	12276000001731	left hinge assembly	1
208	12276000001459	dispenser bracket	2
209	17476000001457	dispenser	1
210	12276000001778	right hinge assembly	1
211	12276000001805	hinge join board	1
302	12276000000979	left side panel	1
303	12276000001132	right side panel	1
304	12176000003869	upper back support	1

313	12176000010412	rail support assembly	4
314	12176000008573	basket guider supporting holder	4
315	12276000001833	anti-noise borad	1
316	12176000008496	basket guider link stopper(back)	2
317	12276000001357	upper basket guider(left)	1
317-a	12276000001360	upper basket guider(right)	1
318	12676000000859	tank gasket	1
320	12176000009491	door lock hook	1
321	12176000010248	back cover board	1

401	17476000005309	power cord	1
402	12176000010640	softener cover	1
403	17476000005645	Softener	1
404	12176000009490	power cord clasper	1
407	12176000009726	foot	3
408	12976000000399	door rope	2
411	12976000000203	door spring assembly	2
412	12976000001001	adjust screw of door spring	2
413	12176000019570	base tray	1
414	12176000019565	base cover	1
415	12676000000138	drain hose assembly	1
416	17476000005724	Airbreather	1
417	12676000000713	air breather seal	1
418	12176000013663	air breaker nut	1
419	17476000001222	pressure switch	1
420	12276000008925	pump support assembly	1
424	17476000001137	overflow switch	1
426	12176000003125	overflow switch seat	1
427	12876000000050	sleeve cover	1
428	17176000018024	main pcb board	1
429	12176000016897	PCB Box cover	1
430	12176000016896	PCB Box	1

433	12676000001801	softener seal	1
434	12176000009513	softener nut	1
501	12176000009430	inner pipe	1
510	12176000009161	lower sprayer	1
511	12176000008645	sprayer seat	1
513	12176000003689	plane filter	1
601	12676000001461	sump seal	1



604	12176000009640	filter handle	1
605	12976000000327	396 clamp	2
606	12176000003676	cylinder filter	1
607	12676000000146	washing pump outlet pipe	1
610	11001011000495	Permanent magnet synchronous pump	1
611	12176000016228	Sumpasssembly	1
612	12676000000651	pvc pipe	1
613	12676000001521	Softener outlet pipe	1
614	17476000A00401	induction pump assembly	1
618	17476000001408	heating elements	1
624	12676000000100	washing pump inlet pipe	1
625	12976000000308	Clamp	2
628	12676000000947	inner drain pipe	1
629	17176000012008	thermostat	1

701	12176000002825	cutlery assembly	1
702	12976000001474	Upper basket	1
703	12976000001463	lower basket assembly	1
704	12176000009173	middle spaver assembly	1
705	12176000013316	cup holder	2
707	12176000010062	basket handle lid (front)	1
708	12176000010045	basket handle lid (back)	1
710	17476000001314	inlet hose assembly	1
711	12176000010312	salt filler	1
712	17476000006902	wiring harness	1
713	12276000A11242	basket handle adhibit piece	1
714	12276000A17104	cutlery handle adhibit piece	1
720	12976000000288	accessory bag	1

604	12176000009640	filter handle	1
605	12976000000327	396 clamp	2
606	12176000003676	cylinder filter	1
607	12676000000146	washing pump outlet pipe	1
610	11001011000495	Permanent magnet synchronous pump	1
611	12176000016225	Sumpasssembly	1
612	12676000000651	pvc pipe	1
613	12676000001521	Softener outlet pipe	1
614	17476000A00401	induction pump assembly	1
618	17476000001408	heating elements	1
624	12676000000100	washing pump inlet pipe	1
625	12976000000308	Clamp	2
628	12676000000947	inner drain pipe	1
629	17176000012008	thermostat	1
630	17176000000306	turbidity transducer	1
631	17476000000189	wiring harness	1
701	12176000002825	cutlery assembly	1
702	12976000001474	Upper basket	1
703	12976000001463	lower basket assembly	1
705	12176000009173	middle spaver assembly	1
706	12176000013316	cup holder	2
707	12176000010062	basket handle lid (front)	2
708	12176000010045	basket handle lid (back)	2
710	17476000001314	inlet hose assembly	1
711	12176000010312	salt filler	1
712	17476000006902	wiring harness	1
713	12276000A11242	basket handle adhibit piece	2
714	12276000A17104	cutlery handle adhibit piece	1
720	12976000000288	accessory bag	1

604	12176000009640	filter handle	1
605	12976000000327	396 clamp	2
606	12176000003676	cylinder filter	1
607	12676000000146	washing pump outlet pipe	1
610	11001011000495	Permanent magnet synchronous pump	1
611	12176000016228	Sumpasssembly	1
612	12676000000651	pvc pipe	1
613	12676000001521	Softener outlet pipe	1
614	17476000A00401	induction pump assembly	1
618	17476000001408	heating elements	1
624	12676000000100	washing pump inlet pipe	1
625	12976000000308	Clamp	2
628	12676000000947	inner drain pipe	1
629	17176000012008	thermostat	1

701	12176000002802	cutlery basket	1
702	12976000000461	basket assembly	1
703	12976000001368	lower basket assembly	1
704	12176000009173	middle spaver assembly	1
705	12176000013316	cup holder	1
706	12176000010062	basket handle lid (front)	1
707	12176000010045	basket handle lid (back)	1
710	17476000001314	inlet hose assembly	1
711	12176000010312	salt filler	1
712	17476000006902	wiring harness	1
714	12276000A11242	basket handle adhibit piece	1
720	12976000000288	accessory bag	1