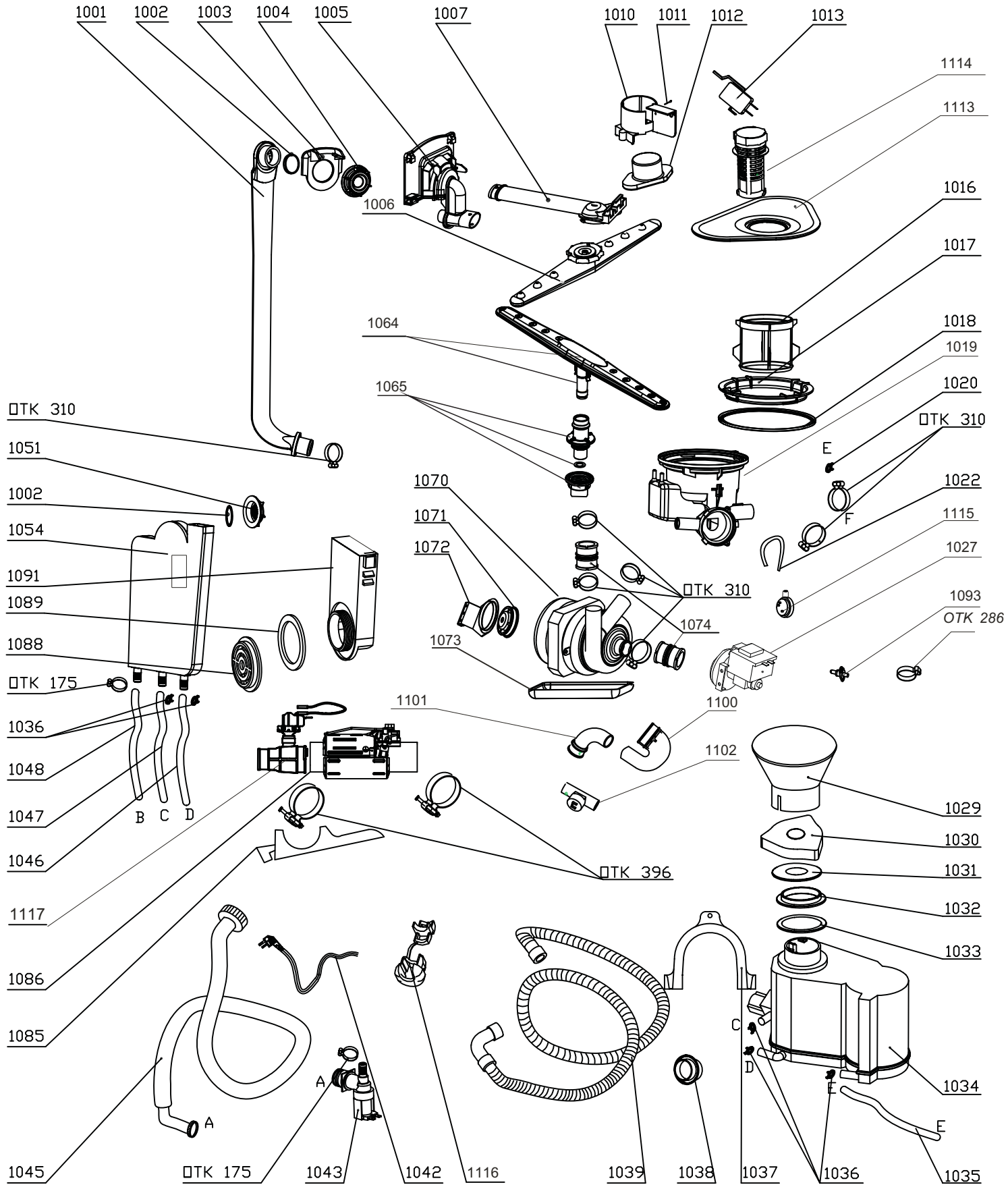
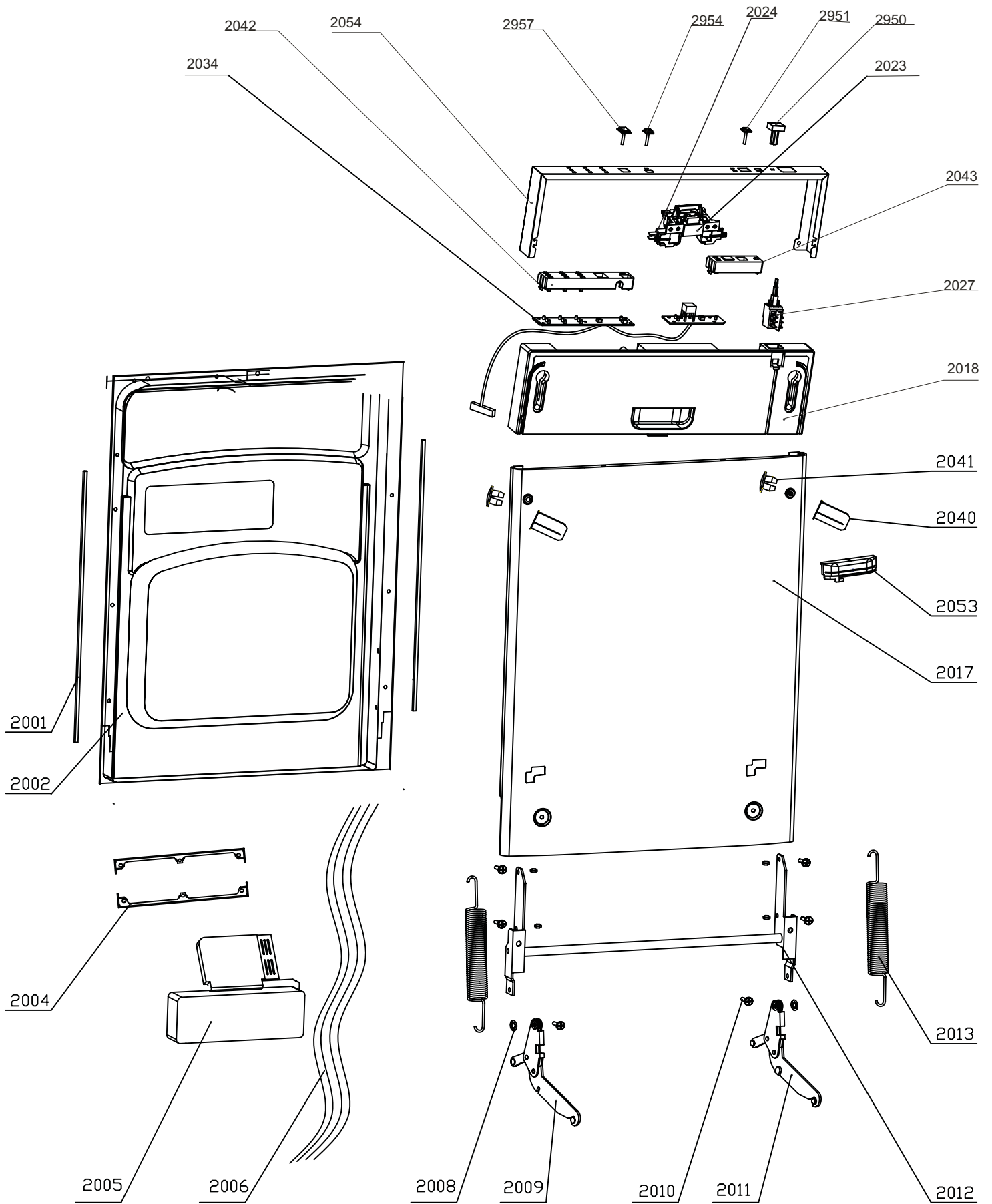
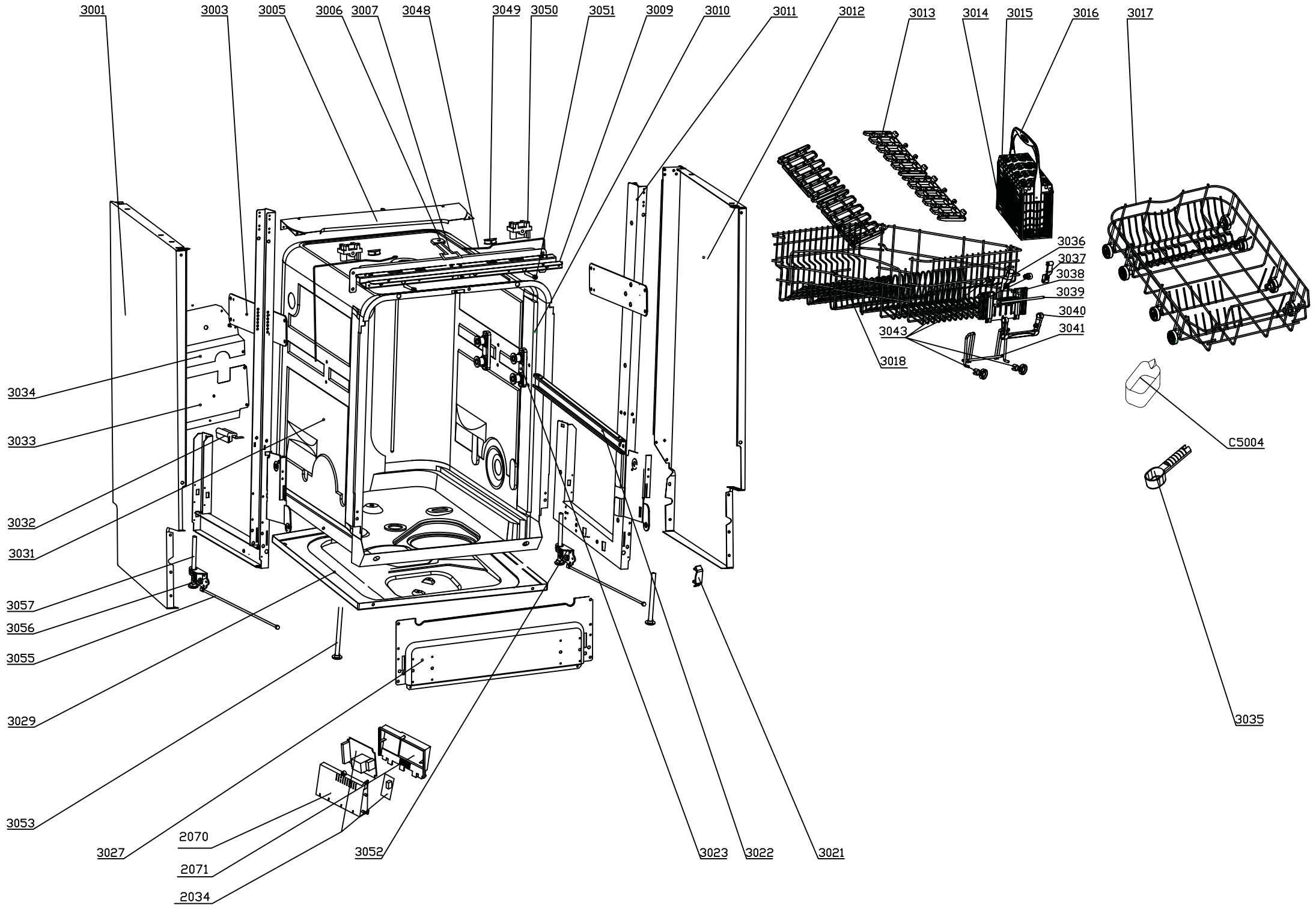


**WASHING MACHINE MLP-08I**  
MLP-08I (WQP8-9367) EXPLODED VIEW







## MLP-08I (WQP8-9367) XWJ016131 PART LIST

ID	No in EV	code	item	Qty
	1001	673000900249	External pipe	1
	1002	673001500005	O Ring I 31.5X3.55	2
	1003	673001800364	Guide casing	1
	1004	673001600021	External pipe nut	1
	1005	673001900016	Water dispenser	1
	1006	673000300077	Upper sprayer	1
	1007	673000900195	Upper sprayer pipe	1
	1012	673002300003	Float	1
	1016	673002500047	Micro filter	1
	1017	673001600022	Sump nut	1
	1018	673001500016	Sump gasket	1
	1019	673000700081	Sump	1
	1020	672000700028	Clamp 12.7×1.8	1
	1022	673000900160	PVC hose	1
	1027	674000600106	Drain pump	1
	1029	673002200043	Salt filler	1
	1030	673002800050	Softener cover assembly	1
	1031	673001700080	Softener cover gasket	1
	1032	673001600039	Softener nut	1
	1033	673001700001	Softener gasket	1
	1034	674000700022	Softener	1
	1036	672000700029	Clamp 14.5×1.8	3
	1037	673006200027	Drain hose hook	1
	1038	673001500002	Drain hose holder	1
	1039	673000900186	Drain hose	1
	1042	674000000198	Power cord	1
	1043	674000200012	Inlet valve	1
	1045	673000900093	Inlet hose assembly	1
	1046	673000900026	Regeneration hose	1
	1048	673000900024	Inlet hose of air breather	1
	1051	673001600055	Air breather nut	1
	1054	673002700008	Air breather assembly	1
	1064	670400051618	Lower sprayer	1
	1065	673001200027	Lower sprayer connection assembly	1
	1070	674000600041	Washing pump	1
	1073	673002400066	Motor insulation pan	1
	1074	673000900182	Connect hose	2
	1085	673001400025	Heating element support	1
	1086	674001100039	Heating elements	1
	1088	673001600024	Water inlet nut	1
	1089	673001500019	Water inlet gasket	1
	1091	673002600035	Water inlet	1
	1093	674000900038	Sensing device	1
	1100	673000900111	Bend connect hose A	1
	1101	673000900112	Bend connect hose B	1
	1102	674001010008	turbidity sensor	1

1113	673002500048	plane filter	1
1114	673001300137	Scran collection	1
1115	674000300079	Pressure switch	1
1116	673001400083	power cord clasper	1
1117	674000302006	pressure switch assembly for heating el	1
2001	673002000084	Door edge guard piece	2
2002	672002200137	Inner door	1
2004	672001700002	Dispenser bracket	2
2005	674000800032	Dispenser	1
2006	674000100493	Wiring harness	1
2008	672000500006	Ring $\Phi 6$	4
2009	672001300029	Left hinge	1
2010	672001200012	Dowel	2
2011	672001300030	Right hinge	1
2012	672001300023	Door gemel assembly	1
2013	672000100004	Door spring	2
2017	672001800552	Outer door	1
2018	673000401806	Front panel	1
2023	673001800513	Handle assembly	1
2024	674010030000	door switch	1
2027	674010010000	Power switch	1
2034	674001020224	Control board	1
2040	673001800365	Screw sleeve	2
2041	673000700005	Sleeve cover	2
2042	673002400044	Lampshade A	1
2043	673002400045	Lampshade B	1
2053	673002800031	Control panel cover	1
2054	672000310033	Delay key-press	1
2070	673002400187	Circuit board box A	1
2071	673002400100	Circuit board box B	1
2950	673000800812	power button	1
2951	673000801572	Program selection key-press	1
2954	673000801576	Delay key-press	1
2957	673000801579	Half loading key-press	1
3001	672001600212	Left side panel	1
3003	672002100067	Upright left assembly	1
3005	672001500003	Upper rear crosspiece	1
3006	673001300061	door clamp	1
3007	672001400039	door lock	1
3009	672001500247	Upper front crosspiece	1
3010	673001700078	Tank gasket	1
3011	672002100066	Upright right assembly	1
3012	672001600211	Right panel	1
3013	673001300072	Upper basket cup holder	4
3017	672000800342	Lower basket	1
3018	672000800406	Upper basket	1

3021	673001300044	Rail block	2
3022	672001700005	Rail	1
3023	673001400056	Rail support assembly	4
3027	672001500359	Lower front crosspiece	1
3029	672002000065	Tray assembly	1
3032	673001700010	Tank band bracing block	2
3033	672001500200	Lower rear crosspiece	1
3034	672001500114	Middle rear crosspiece	1
3035	673002200079	Measurable spoon	1
3036	673001400110	Left claw	2
3037	673001400109	Right claw	2
3038	673001400107	Framework support	2
3039	672001200004	Orientation pole	2
3040	673001800356	Adjustable basket handle	2
3041	672000801021	Slip bracket	2
3043	673001000018	Upper basket wheel	4
3048	672001100004	Adjust steel rope	2
3049	672002300002	Adjust nut	2
3050	673001300012	Top board hook	2
3051	672001100003	Adjust screw	2
3052	673001400146	Right adjuster holder assembly	1
3053	672001400045	Front foot	2
3055	672001100002	Adjustable pole	2
3056	673001400145	Left adjuster holder assembly	1
3057	672001400046	Back foot	2
1010+1011+1013	673001490016	Float holder assembly	1
1035+1047	673000900224	Softener pipe	2
1071+1072	672000200054	Washing motor support	1
3014+3015+3016	673002200080	Cutlery basket	1
C5004	673006200004	Rinsing agent cup	1
OTK 175	672000700004	OTK 175	2
OTK 286	672000700003	OTK 286	1
OTK 310	672000700001	OTK 310	7
OTK 396	672000700007	OTK 396	2

WASHING MACHINE MLP-08I