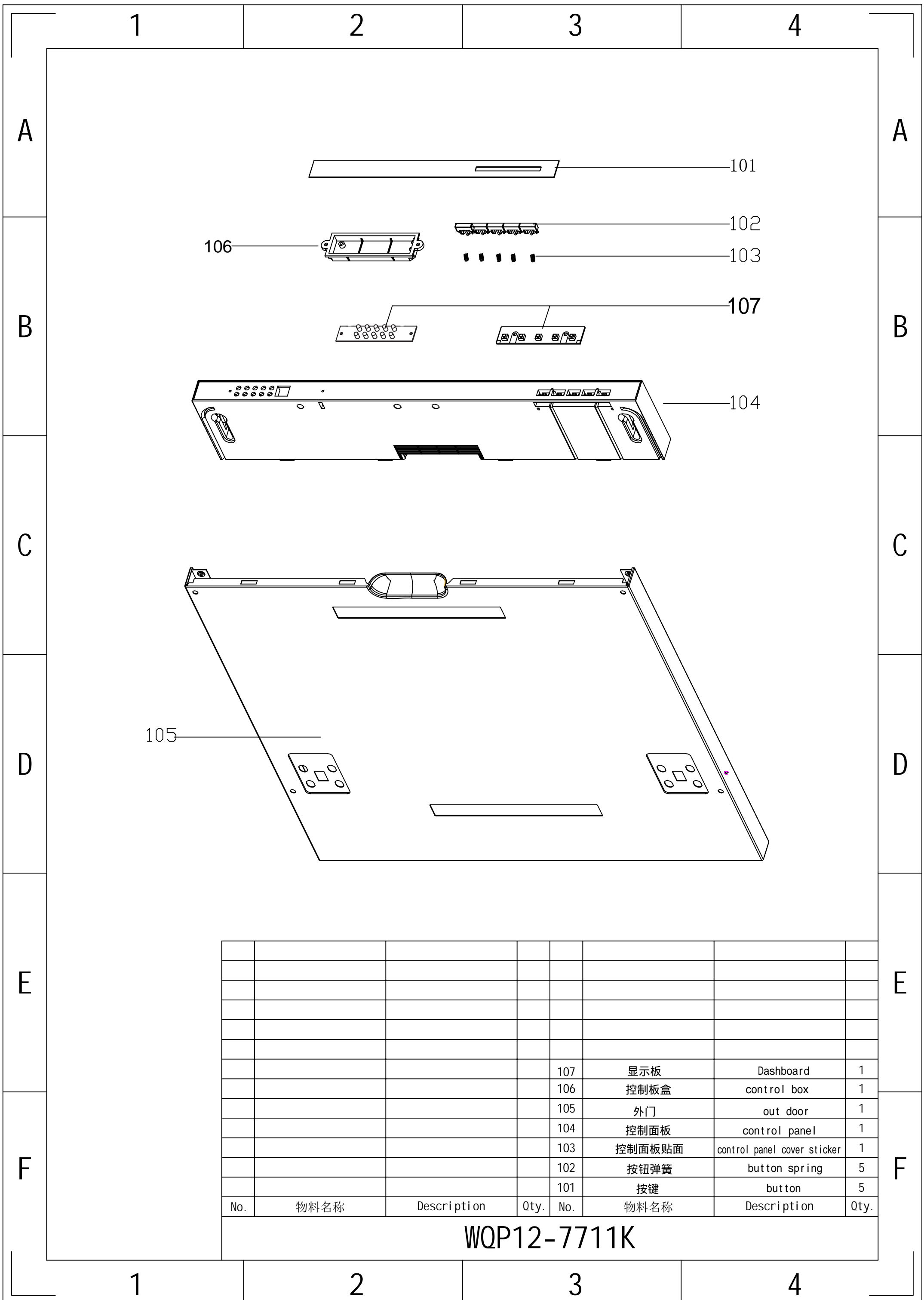
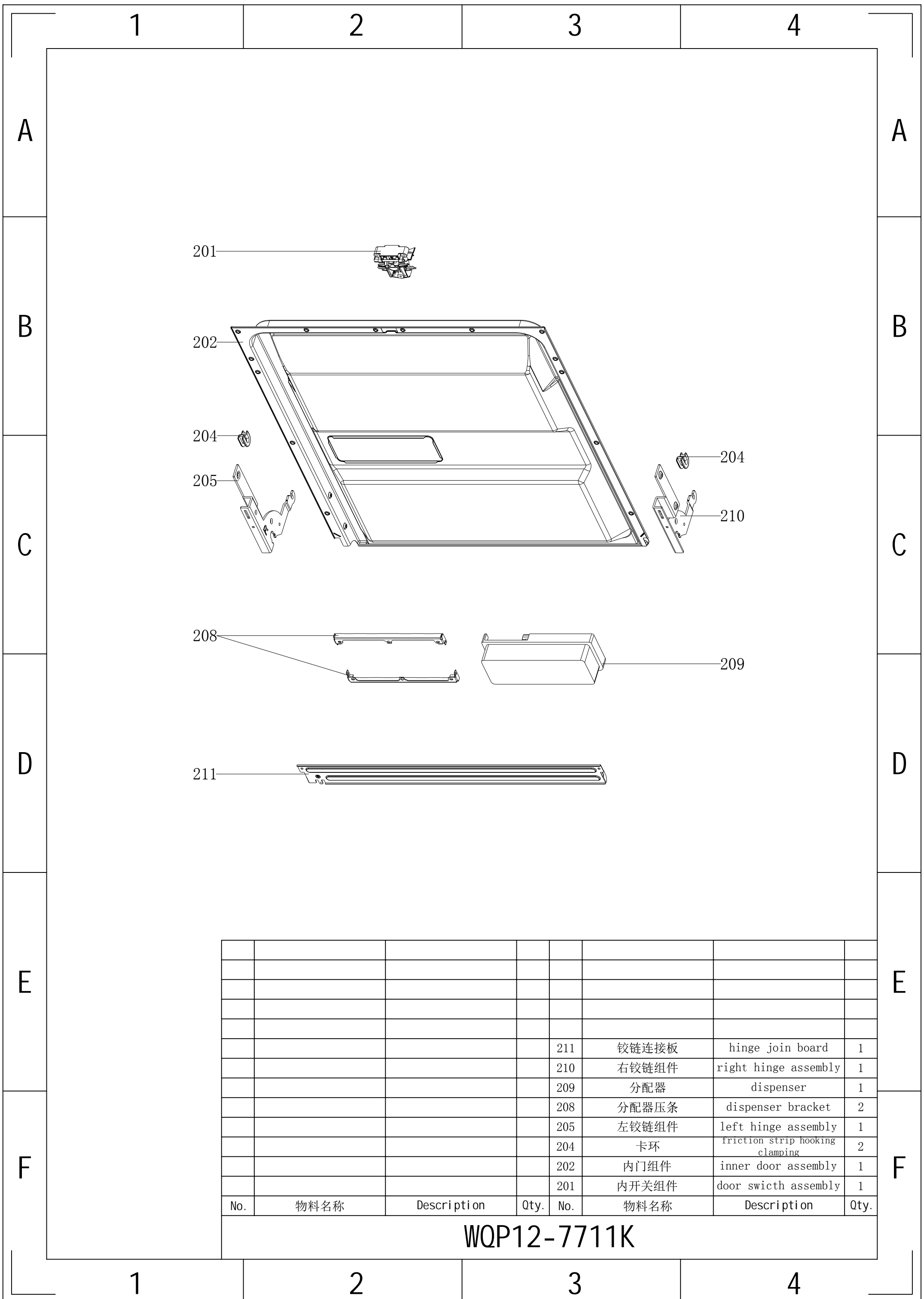


MLP-12B (MO-343427)



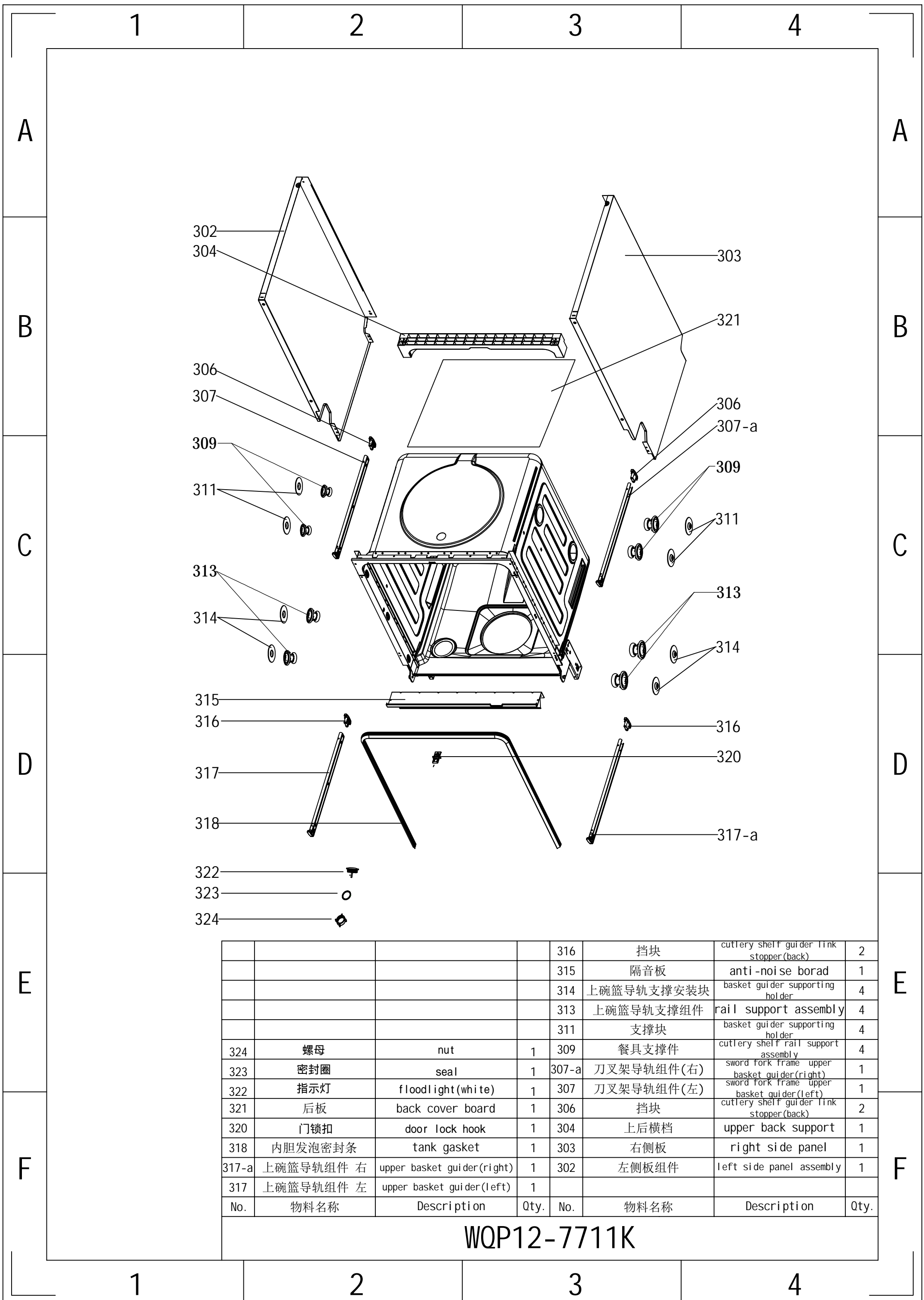
				107	显示板	Dashboard	1
				106	控制板盒	control box	1
				105	外门	out door	1
				104	控制面板	control panel	1
				103	控制面板贴面	control panel cover sticker	1
				102	按钮弹簧	button spring	5
				101	按键	button	5
No.	物料名称	Description	Qty.	No.	物料名称	Description	Qty.

WQP12-7711K



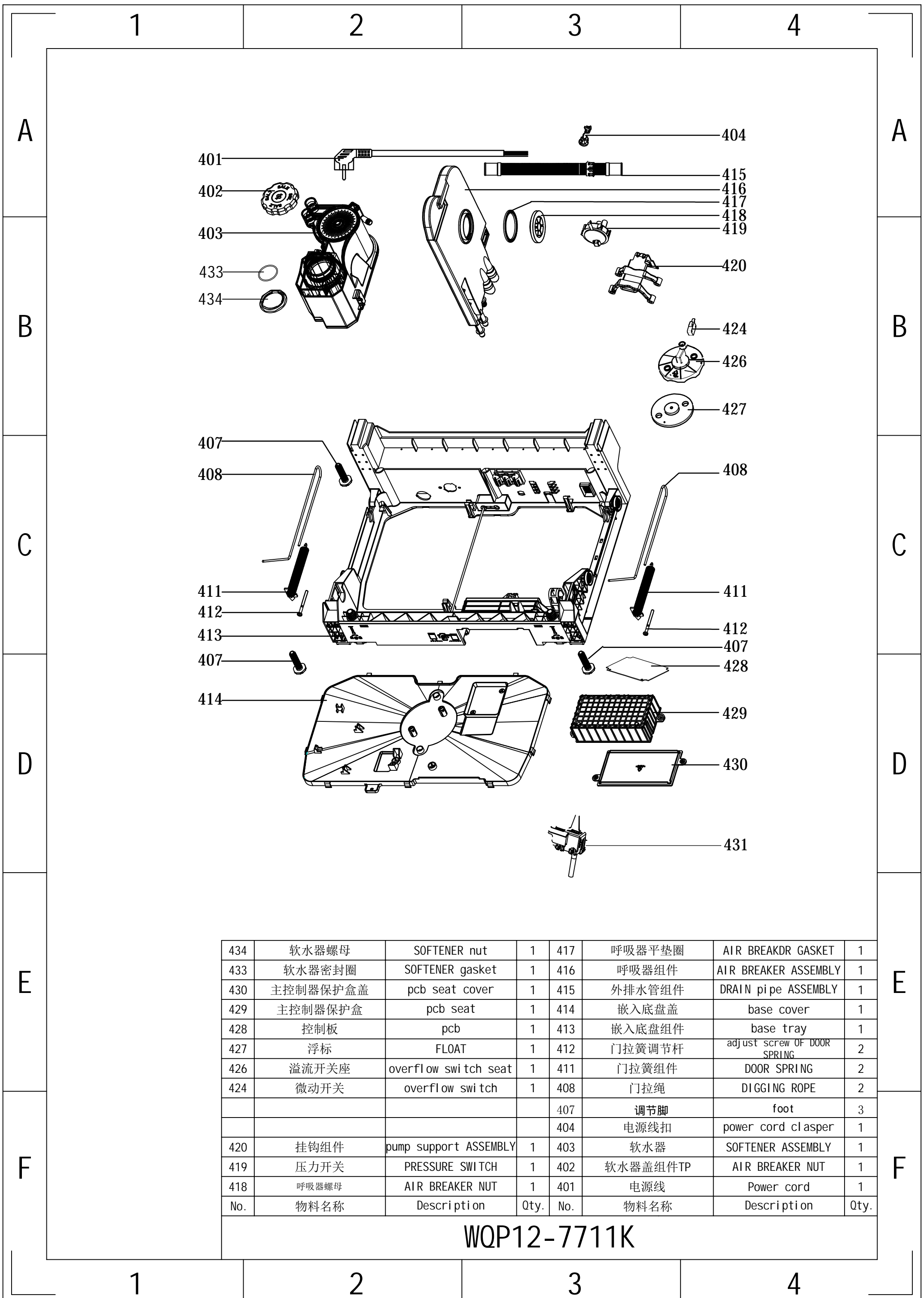
				211	铰链连接板	hinge join board	1
				210	右铰链组件	right hinge assembly	1
				209	分配器	dispenser	1
				208	分配器压条	dispenser bracket	2
				205	左铰链组件	left hinge assembly	1
				204	卡环	friction strip hooking clamping	2
				202	内门组件	inner door assembly	1
				201	内开关组件	door swicth assembly	1
No.	物料名称	Description	Qty.	No.	物料名称	Description	Qty.

WQP12-7711K



				316	挡块	cutlery shelf guider link stopper(back)	2
				315	隔音板	anti-noise borad	1
				314	上碗篮导轨支撑安装块	basket guider supporting holder	4
				313	上碗篮导轨支撑组件	rail support assembly	4
				311	支撑块	basket guider supporting holder	4
324	螺母	nut	1	309	餐具支撑件	cutlery shelf rail support assembly	4
323	密封圈	seal	1	307-a	刀叉架导轨组件(右)	sword fork frame upper basket guider(right)	1
322	指示灯	floodlight(white)	1	307	刀叉架导轨组件(左)	sword fork frame upper basket guider(left)	1
321	后板	back cover board	1	306	挡块	cutlery shelf guider link stopper(back)	2
320	门锁扣	door lock hook	1	304	上后横档	upper back support	1
318	内胆发泡密封条	tank gasket	1	303	右侧板	right side panel	1
317-a	上碗篮导轨组件 右	upper basket guider(right)	1	302	左侧板组件	left side panel assembly	1
317	上碗篮导轨组件 左	upper basket guider(left)	1				
No.	物料名称	Description	Qty.	No.	物料名称	Description	Qty.

WQP12-7711K



434	软水器螺母	SOFTENER nut	1	417	呼吸器平垫圈	AIR BREAKDR GASKET	1
433	软水器密封圈	SOFTENER gasket	1	416	呼吸器组件	AIR BREAKER ASSEMBLY	1
430	主控制器保护盒盖	pcb seat cover	1	415	外排水管组件	DRAIN pi pe ASSEMBLY	1
429	主控制器保护盒	pcb seat	1	414	嵌入底盘盖	base cover	1
428	控制板	pcb	1	413	嵌入底盘组件	base tray	1
427	浮标	FLOAT	1	412	门拉簧调节杆	adjust screw OF DOOR SPRING	2
426	溢流开关座	overflow switch seat	1	411	门拉簧组件	DOOR SPRING	2
424	微动开关	overflow swi tch	1	408	门拉绳	DIGGING ROPE	2
				407	调节脚	foot	3
				404	电源线扣	power cord clasper	1
420	挂钩组件	pump support ASSEMBLY	1	403	软水器	SOFTENER ASSEMBLY	1
419	压力开关	PRESSURE SWITCH	1	402	软水器盖组件TP	AIR BREAKER NUT	1
418	呼吸器螺母	AIR BREAKER NUT	1	401	电源线	Power cord	1
No.	物料名称	Description	Qty.	No.	物料名称	Description	Qty.

WQP12-7711K

1

2

3

4

A

A

B

B

C

C

D

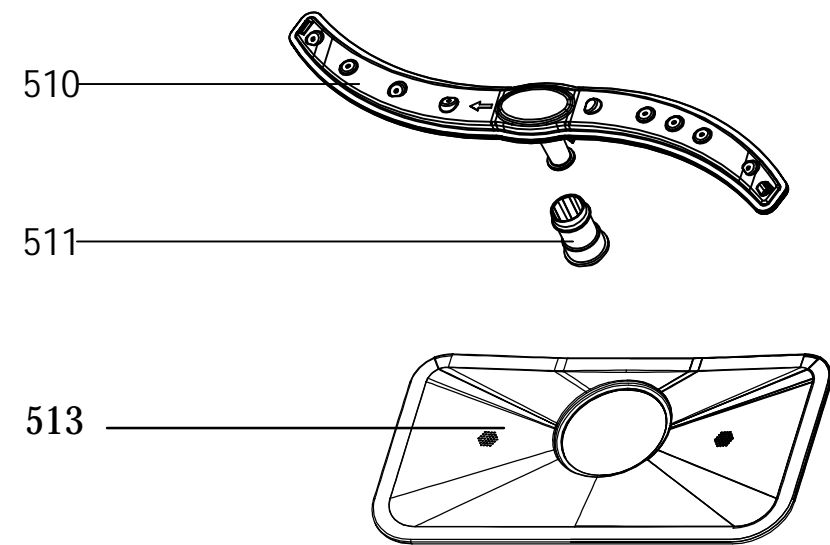
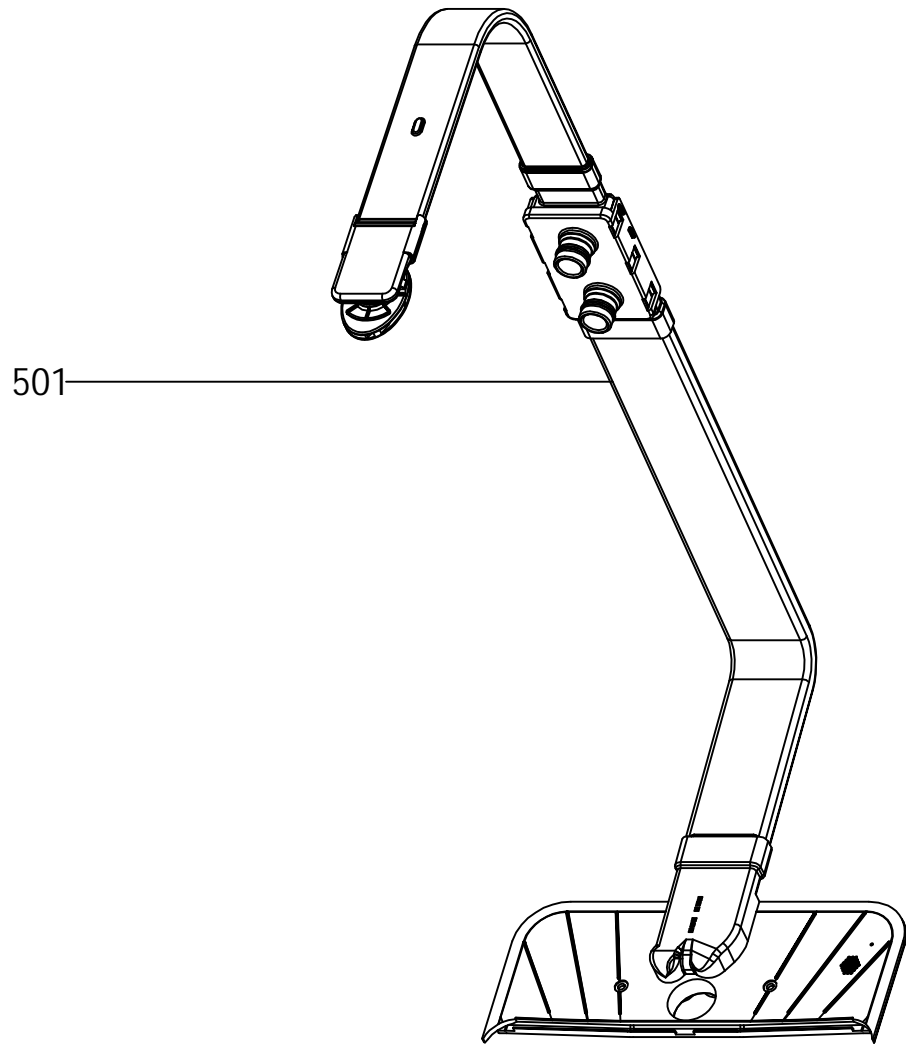
D

E

E

F

F



				513	平面过滤器	plane filter	1
				511	下喷臂座	sprayer seat	1
				510	下喷臂	lower sprayer	1
				501	内水管组件	inner pipe	1
No.	物料名称	Description	Qty.	No.	物料名称	Description	Qty.

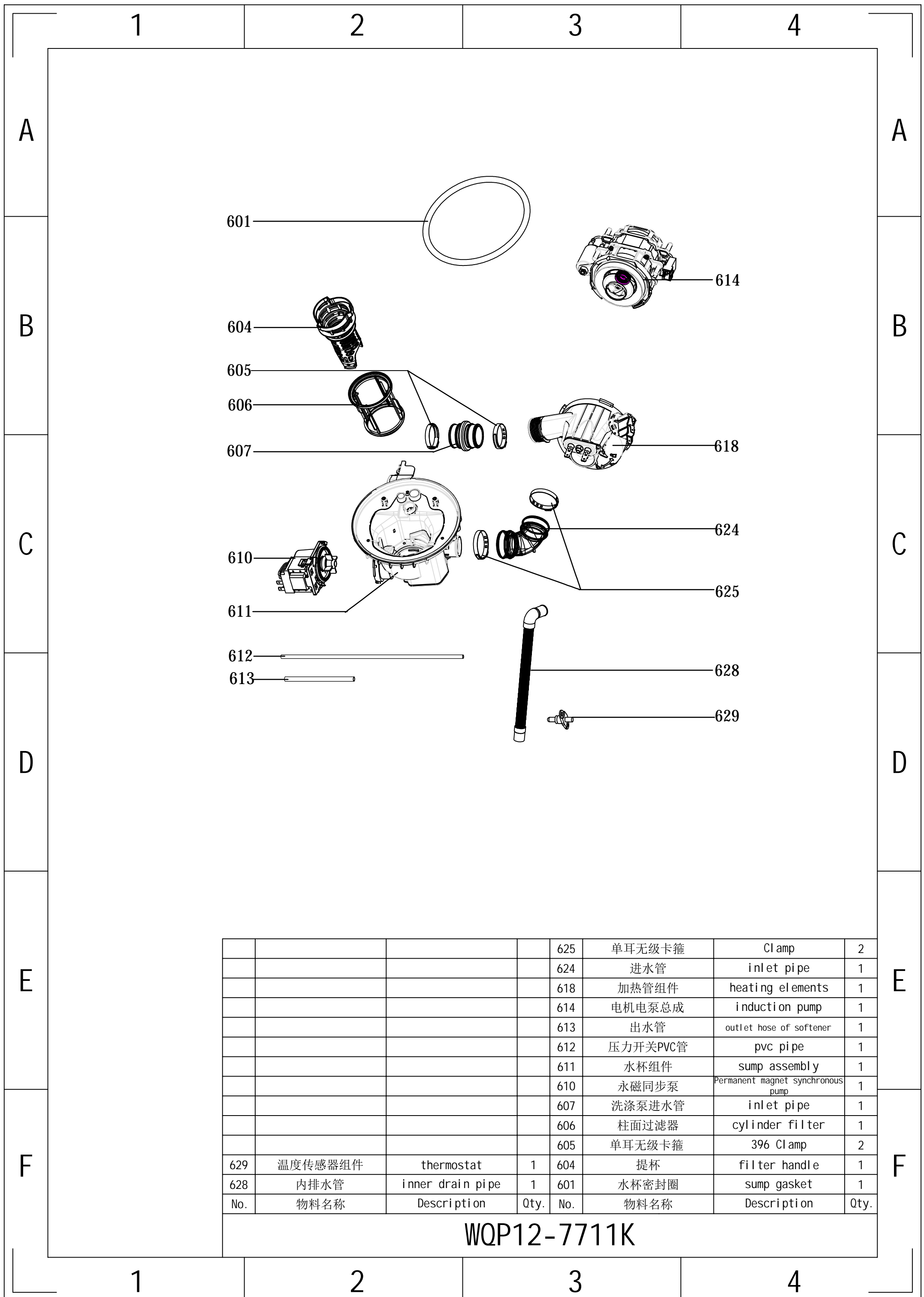
WQP12-7711K

1

2

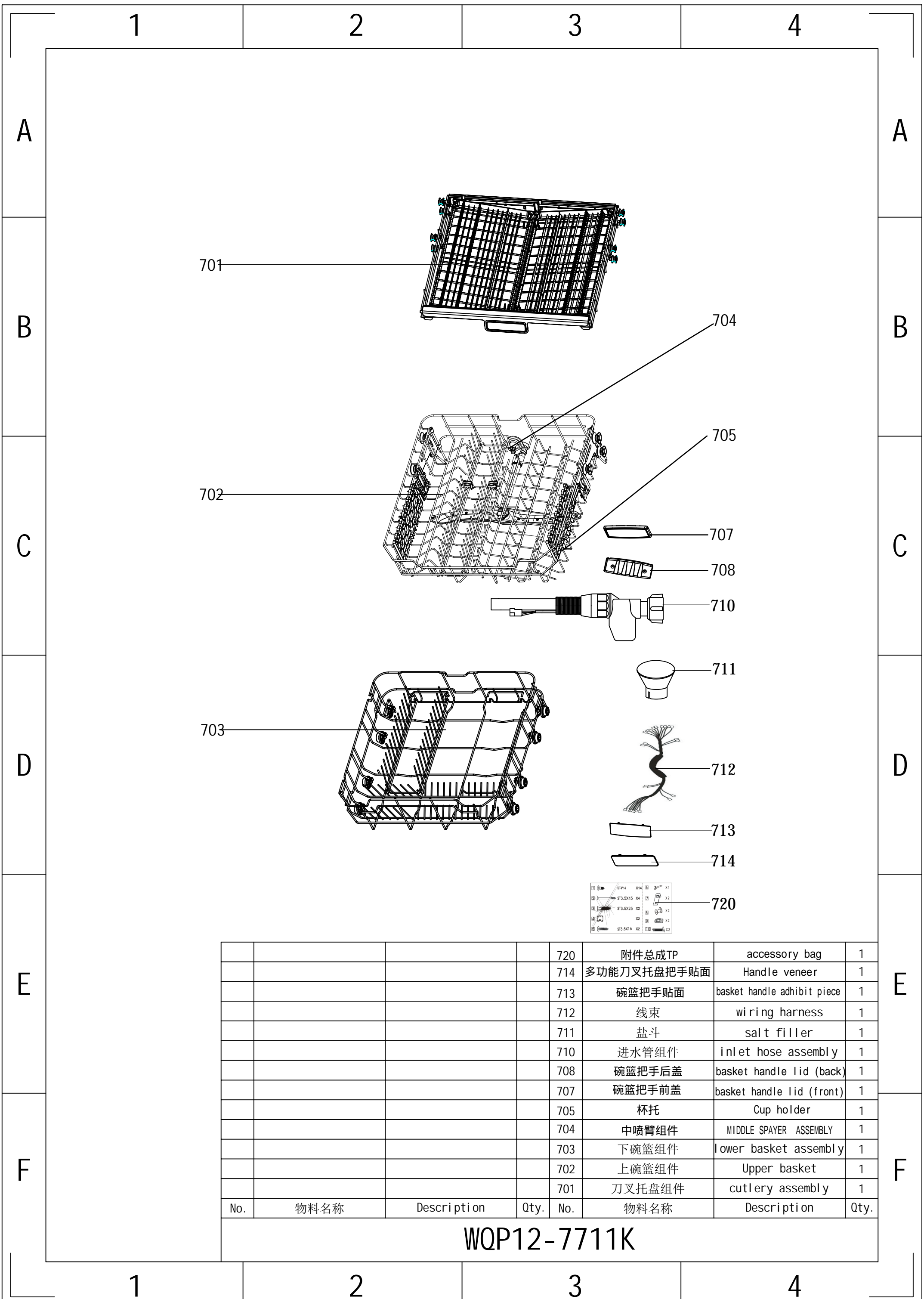
3

4



				625	单耳无级卡箍	Clamp	2
				624	进水管	inlet pipe	1
				618	加热管组件	heating elements	1
				614	电机电泵总成	induction pump	1
				613	出水管	outlet hose of softener	1
				612	压力开关PVC管	pvc pipe	1
				611	水杯组件	sump assembly	1
				610	永磁同步泵	Permanent magnet synchronous pump	1
				607	洗涤泵进水管	inlet pipe	1
				606	柱面过滤器	cylinder filter	1
				605	单耳无级卡箍	396 Clamp	2
629	温度传感器组件	thermostat	1	604	提杯	filter handle	1
628	内排水管	inner drain pipe	1	601	水杯密封圈	sump gasket	1
No.	物料名称	Description	Qty.	No.	物料名称	Description	Qty.

WQP12-7711K



				720	附件总成TP	accessory bag	1
				714	多功能刀叉托盘把手贴面	Handle veneer	1
				713	碗篮把手贴面	basket handle adhibit piece	1
				712	线束	wiring harness	1
				711	盐斗	salt filler	1
				710	进水管组件	inlet hose assembly	1
				708	碗篮把手后盖	basket handle lid (back)	1
				707	碗篮把手前盖	basket handle lid (front)	1
				705	杯托	Cup holder	1
				704	中喷臂组件	MIDDLE SPAYER ASSEMBLY	1
				703	下碗篮组件	lower basket assembly	1
				702	上碗篮组件	Upper basket	1
				701	刀叉托盘组件	cutlery assembly	1
No.	物料名称	Description	Qty.	No.	物料名称	Description	Qty.

WQP12-7711K

604	12176000009640	filter handle	1
605	12976000000327	396 clamp	2
606	12176000003676	cylinder filter	1
607	12676000000146	washing pump outlet pipe	1
610	11001011000495	Permanent magnet synchronous pump	1
611	12176000016228	Sumpasssembly	1
612	12676000000651	pvc pipe	1
613	12676000001521	Softener outlet pipe	1
614	17476000A00401	induction pump assembly	1
618	17476000001408	heating elements	1
624	12676000000100	washing pump inlet pipe	1
625	12976000000308	Clamp	2
628	12676000000947	inner drain pipe	1
629	17176000012008	thermostat	1

701	12176000002825	cutlery assembly	1
702	12976000001474	Upper basket	1
703	12976000001463	lower basket assembly	1
704	12176000009173	middle spaver assembly	1
705	12176000013316	cup holder	2
707	12176000010062	basket handle lid (front)	1
708	12176000010045	basket handle lid (back)	1
710	17476000001314	inlet hose assembly	1
711	12176000010312	salt filler	1
712	17476000006902	wiring harness	1
713	12276000A11242	basket handle adhibit piece	1
714	12276000A17104	cutlery handle adhibit piece	1
720	12976000000288	accessory bag	1

604	12176000009640	filter handle	1
605	12976000000327	396 clamp	2
606	12176000003676	cylinder filter	1
607	12676000000146	washing pump outlet pipe	1
610	11001011000495	Permanent magnet synchronous pump	1
611	12176000016225	Sumpasssembly	1
612	12676000000651	pvc pipe	1
613	12676000001521	Softener outlet pipe	1
614	17476000A00401	induction pump assembly	1
618	17476000001408	heating elements	1
624	12676000000100	washing pump inlet pipe	1
625	12976000000308	Clamp	2
628	12676000000947	inner drain pipe	1
629	17176000012008	thermostat	1
630	17176000000306	turbidity transducer	1
631	17476000000189	wiring harness	1
701	12176000002825	cutlery assembly	1
702	12976000001474	Upper basket	1
703	12976000001463	lower basket assembly	1
705	12176000009173	middle spaver assembly	1
706	12176000013316	cup holder	2
707	12176000010062	basket handle lid (front)	2
708	12176000010045	basket handle lid (back)	2
710	17476000001314	inlet hose assembly	1
711	12176000010312	salt filler	1
712	17476000006902	wiring harness	1
713	12276000A11242	basket handle adhibit piece	2
714	12276000A17104	cutlery handle adhibit piece	1
720	12976000000288	accessory bag	1

604	12176000009640	filter handle	1
605	12976000000327	396 clamp	2
606	12176000003676	cylinder filter	1
607	12676000000146	washing pump outlet pipe	1
610	11001011000495	Permanent magnet synchronous pump	1
611	12176000016228	Sumpasssembly	1
612	12676000000651	pvc pipe	1
613	12676000001521	Softener outlet pipe	1
614	17476000A00401	induction pump assembly	1
618	17476000001408	heating elements	1
624	12676000000100	washing pump inlet pipe	1
625	12976000000308	Clamp	2
628	12676000000947	inner drain pipe	1
629	17176000012008	thermostat	1

701	12176000002802	cutlery basket	1
702	12976000000461	basket assembly	1
703	12976000001368	lower basket assembly	1
704	12176000009173	middle spaver assembly	1
705	12176000013316	cup holder	1
706	12176000010062	basket handle lid (front)	1
707	12176000010045	basket handle lid (back)	1
710	17476000001314	inlet hose assembly	1
711	12176000010312	salt filler	1
712	17476000006902	wiring harness	1
714	12276000A11242	basket handle adhibit piece	1
720	12976000000288	accessory bag	1